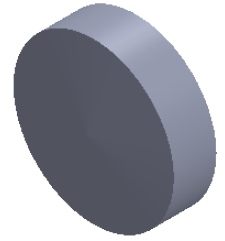
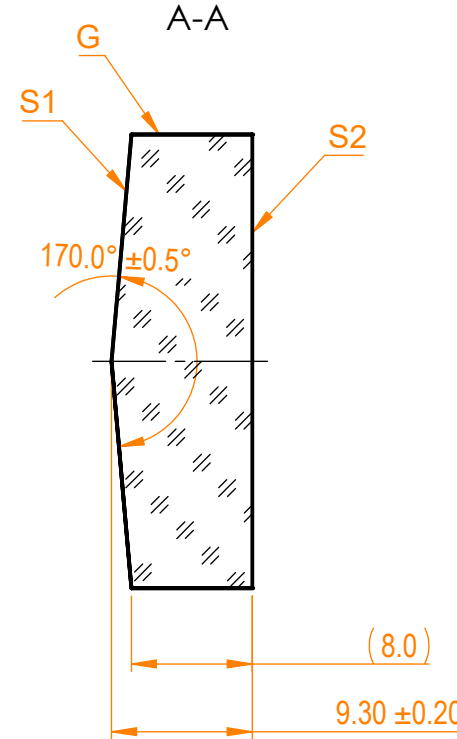
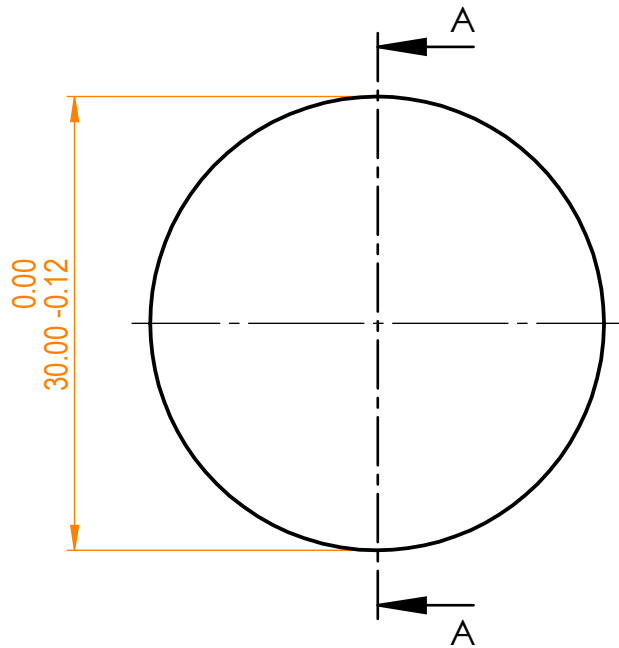


**NOTES:**

1. Material: UVFS;
2. Apex Angle:  $170^\circ \pm 0.5^\circ$ ;
3. Centration error:  $\leq 3$  arcmin;
4. G - Fine ground surface;
5. All dimensions are in mm;



Isometric view 1:1



Specifications are subject to change without notice  
Dimensions are for reference only

Parameters

	S1	S2
Shape	Convex	Plano
Apex rounding	dia <3 mm	-
Surface quality	60-40 s/d	60-40 s/d
Surface irregularity	1λ @632.8 nm	1λ @632.8 nm
Clear aperture	≥90%	≥90%
Protective chamfers	0.2 - 0.3 mm x 45°	0.2 - 0.3 mm x 45°



UVFS pl/cx axicon lens,  
D=30.0 mm, 170° apex angle

Proprietary	Approved	Name	Date	Part number	Rev.	Scale
The information in this drawing is property of EKSMA Optics. Any reproduction in part or as a whole without the written permission of EKSMA Optics is prohibited.	Approved	A.K.	2020.03.24	130-1370	A	2:1
	Drawn	M.B.	2020.03.24			