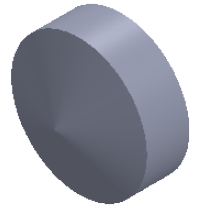
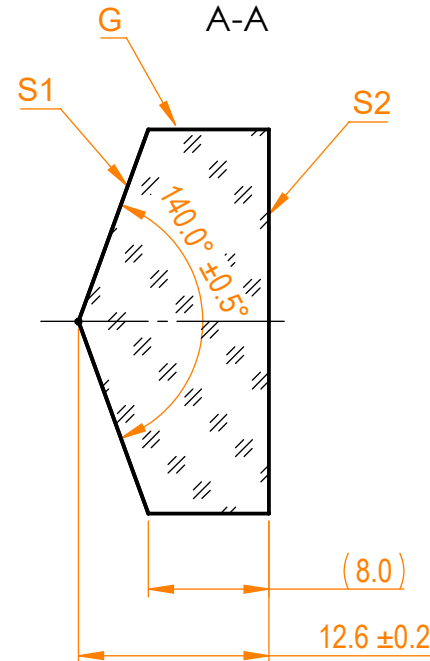
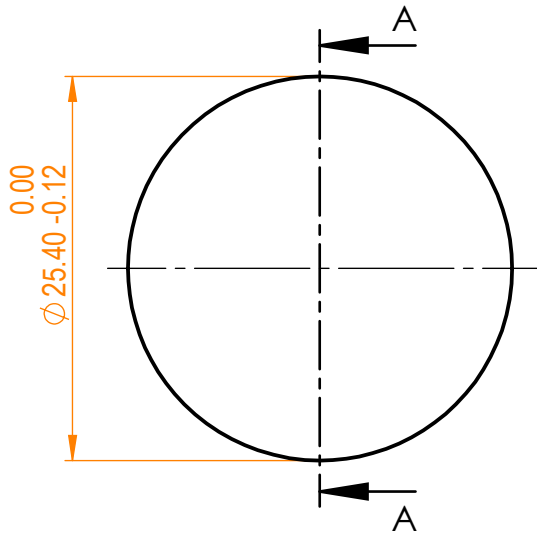


NOTES:

1. Material: BK7;
2. Apex Angle: $140^\circ \pm 0.5^\circ$;
3. Centration error: ≤ 3 arcmin;
4. G - Fine ground surface;
5. All dimensions are in mm;



Isometric view 1:1



Specifications are subject to change without notice
Dimensions are for reference only

Parameters

| | S1 | S2 |
|----------------------|--------------------|--------------------|
| Shape | Convex | Plano |
| Apex rounding | dia <3 mm | - |
| Surface quality | 60-40 s/d | 60-40 s/d |
| Surface irregularity | 1λ @632.8 nm | 1λ @632.8 nm |
| Clear aperture | ≥90% | ≥90% |
| Protective chamfers | 0.2 - 0.3 mm x 45° | 0.2 - 0.3 mm x 45° |



BK7 pl/cx axicon lens,
D=25.4 mm, 140° apex angle

| Proprietary | Approved | Name | Date | Part number | Rev. | Scale |
|---|----------|------|------------|-------------|------|-------|
| The information in this drawing is property of EKSMA Optics. Any reproduction in part or as a whole without the written permission of EKSMA Optics is prohibited. | Drawn | A.K. | 2020.03.20 | 130-0240 | A | 2:1 |
| | | M.B. | 2020.03.20 | | | |