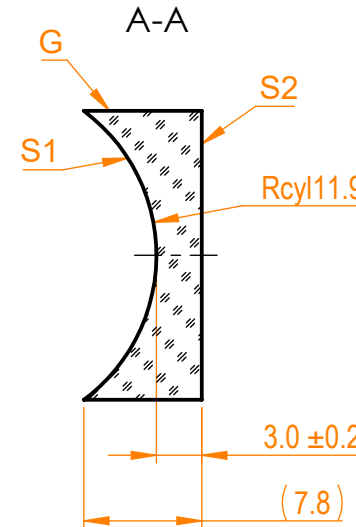
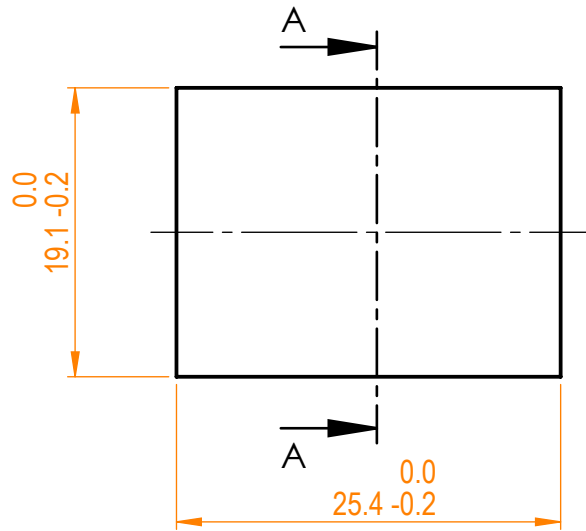


- NOTES:
 1. Material: UVFS;
 2. Design wavelength: 355 nm;
 3. Focal length: $F = -25 \text{ mm} \pm 2\%$;
 4. Centration error: $\leq 3 \text{ arcmin}$;
 5. G - Fine ground surface;
 6. All dimensions are in mm;



Isometric view 1:2



Specifications are subject to change without notice
 Dimensions are for reference only

Parameters		
	S1	S2
Shape	Concave	Plano
Radius of curvature	11.9	Infinity
Surface quality	40-20 s/d	40-20 s/d
Surface irregularity	$\lambda/4$ @632.8 nm	$\lambda/4$ @632.8 nm
Clear aperture	$\geq 90\%$	$\geq 90\%$
Protective chamfers	0.2 - 0.3 mm x 45°	0.2 - 0.3 mm x 45°



UVFS pl/cv cylindrical,
 (19.1 x 25.4) mm, $F = 25 \text{ mm}$

Proprietary	Name	Date	Part number	Rev.	Scale
The information in this drawing is property of EKSMA Optics. Any reproduction in part or as a whole without the written permission of EKSMA Optics is prohibited.	Approved	A.K.	2020.03.24	122-1105E	A
	Drawn	M.B.	2020.03.24		