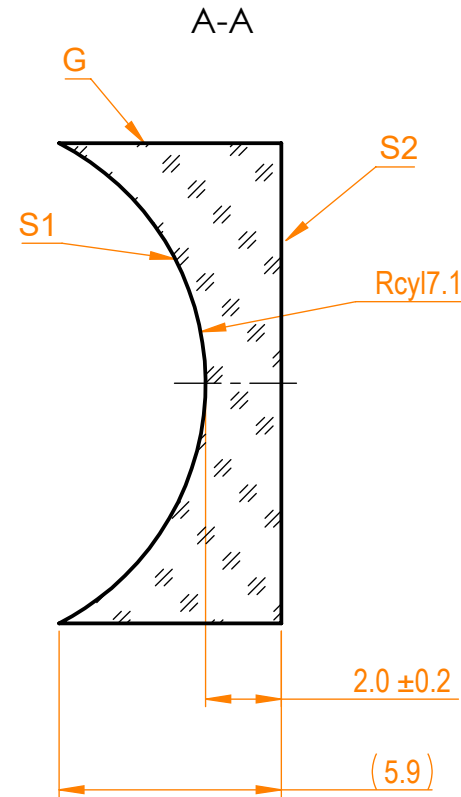
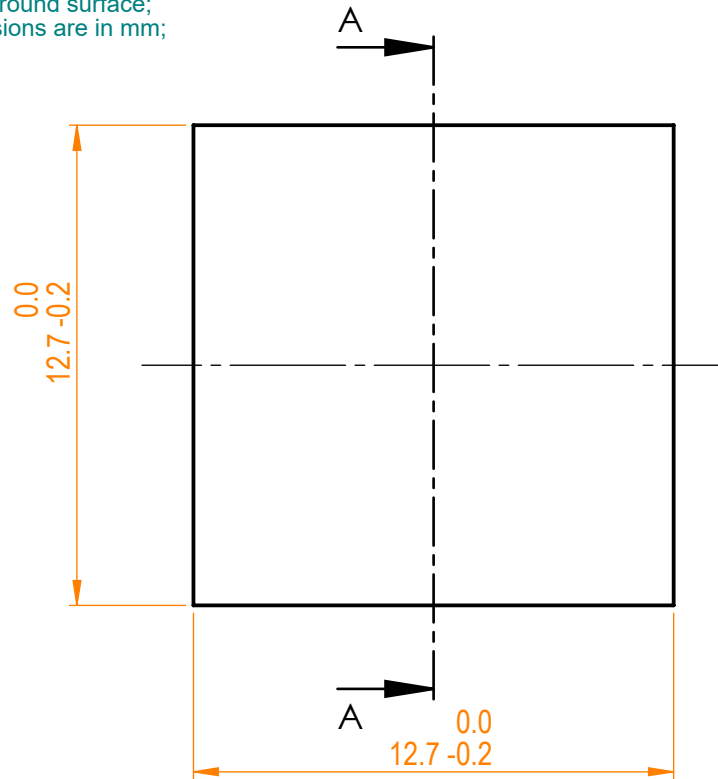


NOTES:


1. Material: UVFS;
2. Design wavelength: 355 nm;
3. Focal length: $F = -15 \text{ mm} \pm 2\%$;
4. Centration error: $\leq 3 \text{ arcmin}$;
5. G - Fine ground surface;
6. All dimensions are in mm;



Isometric view 1:1



Specifications are subject to change without notice
Dimensions are for reference only

Parameters			 info@eksmaoptics.com www.eksmaoptics.com		UVFS pl/cv cylindrical, (12.7 x 12.7) mm, F=15 mm				
	S1	S2			Proprietary	Name	Date	Part number	Rev.
Shape	Concave	Plano	The information in this drawing is property of EKSMA Optics. Any reproduction in part or as a whole without the written permission of EKSMA Optics is prohibited.	Approved	A.K.	2020.03.24	122-1104E	A	5:1
Radius of curvature	7.1	Infinity							
Surface quality	40-20 s/d	40-20 s/d							
Surface irregularity	$\lambda/4 @632.8 \text{ nm}$	$\lambda/4 @632.8 \text{ nm}$							
Clear aperture	$\geq 90\%$	$\geq 90\%$							
Protective chamfers	0.2 - 0.3 mm x 45°	0.2 - 0.3 mm x 45°							