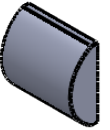
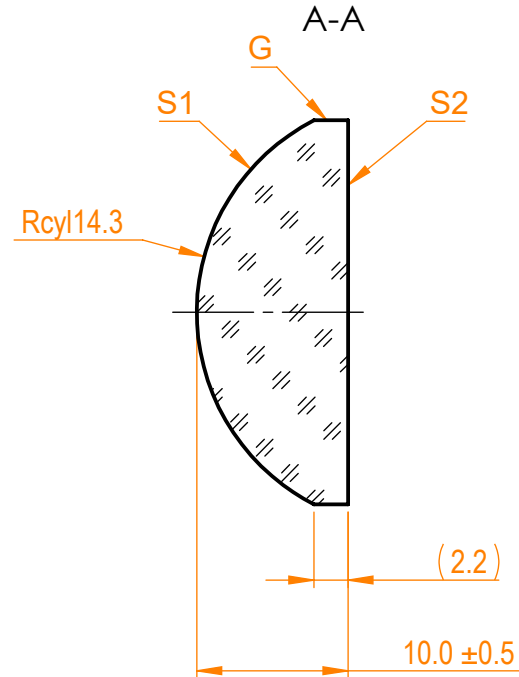
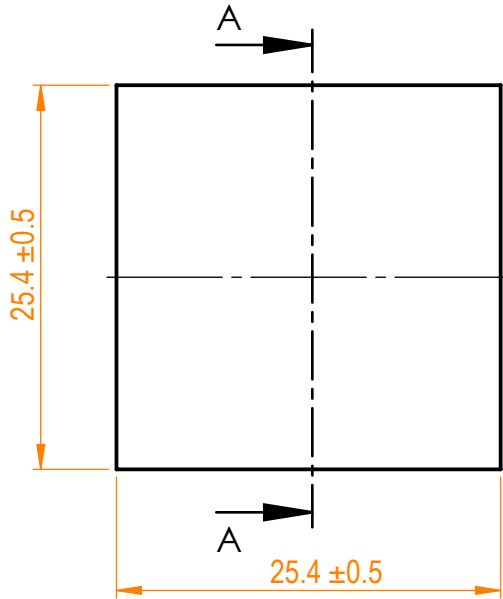


NOTES:


1. Material: UVFS;
2. Design wavelength: 355 nm;
3. Focal length: $F=+30 \text{ mm} \pm 2\%$;
4. Centration error: $\leq 3 \text{ arcmin}$;
5. G - Fine ground surface;
6. All dimensions are in mm;



Isometric view 1:2



Specifications are subject to change without notice
 Dimensions are for reference only

| Parameters | | |  info@eksmaoptics.com www.eksmaoptics.com | | UVFS pl/cx cylindrical (25.4 x 25.4) mm, F=30 mm | | | | |
|----------------------|--------------------|--------------------|---|----------|---|------------|-----------|-------------|------|
| | S1 | S2 | | | Proprietary | Name | Date | Part number | Rev. |
| Shape | Convex | Plano | The information in this drawing is property of EKSMA Optics. Any reproduction in part or as a whole without the written permission of EKSMA Optics is prohibited. | Approved | A.K. | 2020.03.26 | 120-1201E | A | 2:1 |
| Radius of curvature | 14.3 | Infinity | | | | | | | |
| Surface quality | 40-20 s/d | 40-20 s/d | | | | | | | |
| Surface irregularity | 1λ @632.8 nm | 1λ @632.8 nm | | | | | | | |
| Clear aperture | ≥90% | ≥90% | | | | | | | |
| Protective chamfers | 0.2 - 0.3 mm x 45° | 0.2 - 0.3 mm x 45° | | | | | | | |