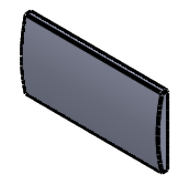
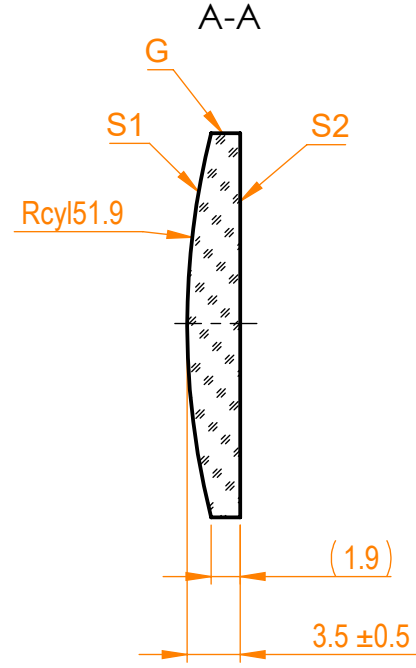
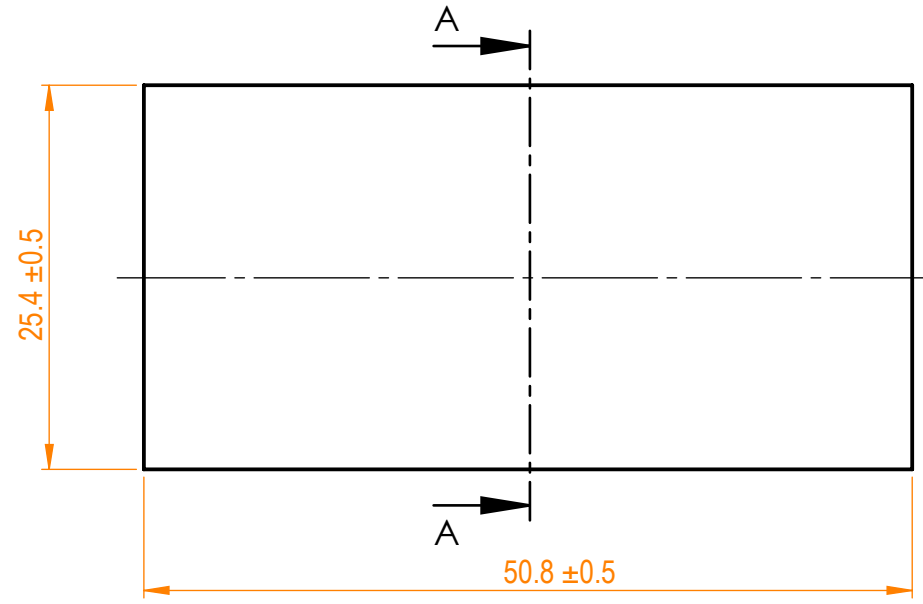



- NOTES:  
 1. Material: BK7;  
 2. Design wavelength: 546 nm;  
 3. Focal length: F=+100 mm ± 2%;  
 4. Centration error: ≤ 3 arcmin;  
 5. G - Fine ground surface;  
 6. All dimensions are in mm;



Isometric view 1:2



Specifications are subject to change without notice  
 Dimensions are for reference only

Parameters			 info@eksmaoptics.com www.eksmaoptics.com		BK7 pl/cx cylindrical (25.4 x 50.8) mm, F=100 mm				
	S1	S2			Proprietary	Name	Date	Part number	Rev.
Shape	Convex	Plano	The information in this drawing is property of EKSMA Optics. Any reproduction in part or as a whole without the written permission of EKSMA Optics is prohibited.	Approved	A.K.	2020.03.26	120-0215E	A	2:1
Radius of curvature	51.9	Infinity							
Surface quality	40-20 s/d	40-20 s/d							
Surface irregularity	1λ @632.8 nm	1λ @632.8 nm							
Clear aperture	≥90%	≥90%							
Protective chamfers	0.2 - 0.3 mm x 45°	0.2 - 0.3 mm x 45°							