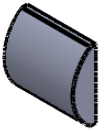
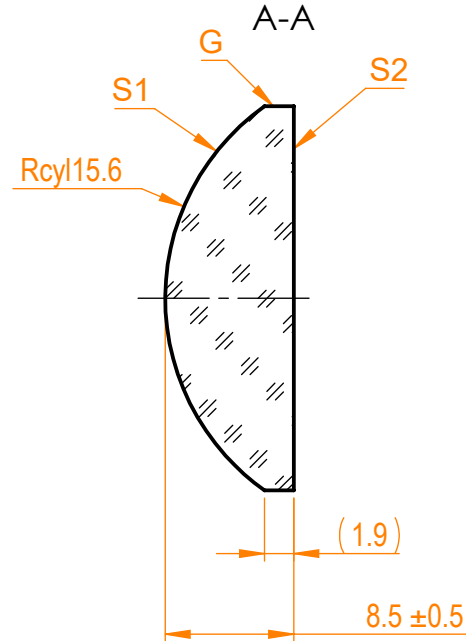
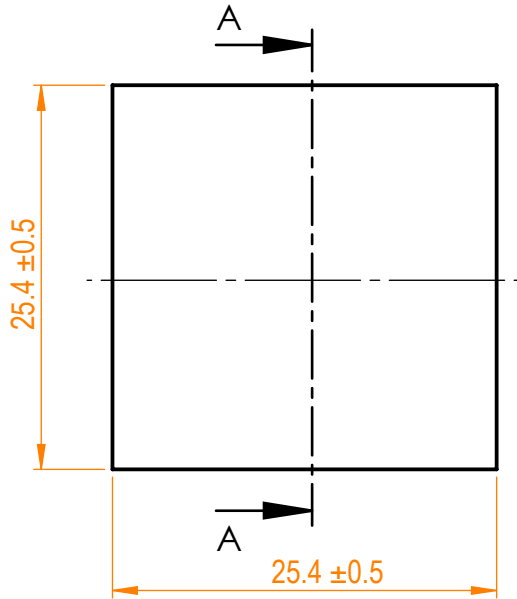


NOTES:

1. Material: BK7;
2. Design wavelength: 546 nm;
3. Focal length: $F=+30 \text{ mm} \pm 2\%$;
4. Centration error: $\leq 3 \text{ arcmin}$;
5. G - Fine ground surface;
6. All dimensions are in mm;



Isometric view 1:2



Specifications are subject to change without notice
Dimensions are for reference only

Parameters

| | S1 | S2 |
|----------------------|--------------------|--------------------|
| Shape | Convex | Plano |
| Radius of curvature | 15.6 | Infinity |
| Surface quality | 40-20 s/d | 40-20 s/d |
| Surface irregularity | 1λ @632.8 nm | 1λ @632.8 nm |
| Clear aperture | ≥90% | ≥90% |
| Protective chamfers | 0.2 - 0.3 mm x 45° | 0.2 - 0.3 mm x 45° |



BK7 pl/cx cylindrical
(19.1 x 25.4) mm, F=30 mm

| Proprietary | Approved | Name | Date | Part number | Rev. | Scale |
|---|----------|------|------------|-------------|------|-------|
| The information in this drawing is property of EKSMA Optics. Any reproduction in part or as a whole without the written permission of EKSMA Optics is prohibited. | Approved | A.K. | 2020.03.26 | 120-0110E | A | 2:1 |
| | Drawn | M.B. | 2020.03.26 | | | |