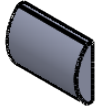
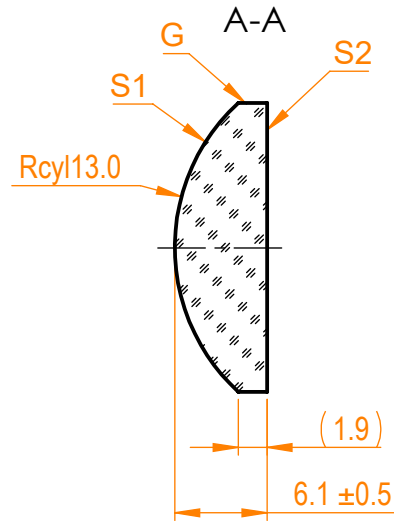
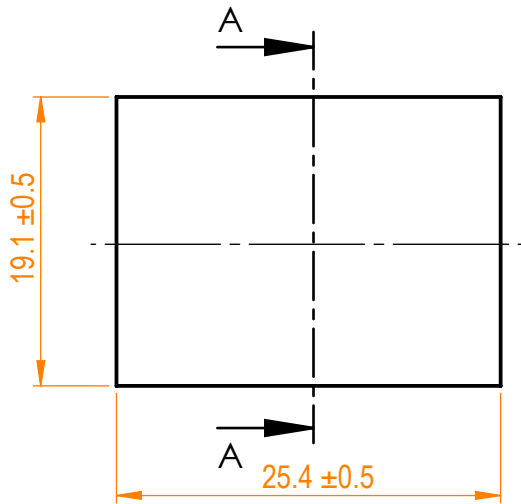


**NOTES:**

- 1. Material: BK7;
- 2. Design wavelength: 546 nm;
- 3. Focal length:  $F=+25\text{ mm} \pm 2\%$ ;
- 4. Centration error:  $\leq 3\text{ arcmin}$ ;
- 5. G - Fine ground surface;
- 6. All dimensions are in mm;



Isometric view 1:2



Specifications are subject to change without notice  
 Dimensions are for reference only

Parameters		
	S1	S2
Shape	Convex	Plano
Radius of curvature	13.0	Infinity
Surface quality	40-20 s/d	40-20 s/d
Surface irregularity	1λ @632.8 nm	1λ @632.8 nm
Clear aperture	≥90%	≥90%
Protective chamfers	0.2 - 0.3 mm x 45°	0.2 - 0.3 mm x 45°



BK7 pl/cx cylindrical  
 (19.1 x 25.4) mm, F=25 mm

Proprietary	Name	Date	Part number	Rev.	Scale
The information in this drawing is property of EKSMA Optics. Any reproduction in part or as a whole without the written permission of EKSMA Optics is prohibited.	Approved	A.K.	2020.03.26	120-0110E	A
	Drawn	M.B.	2020.03.26		