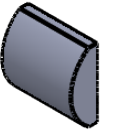
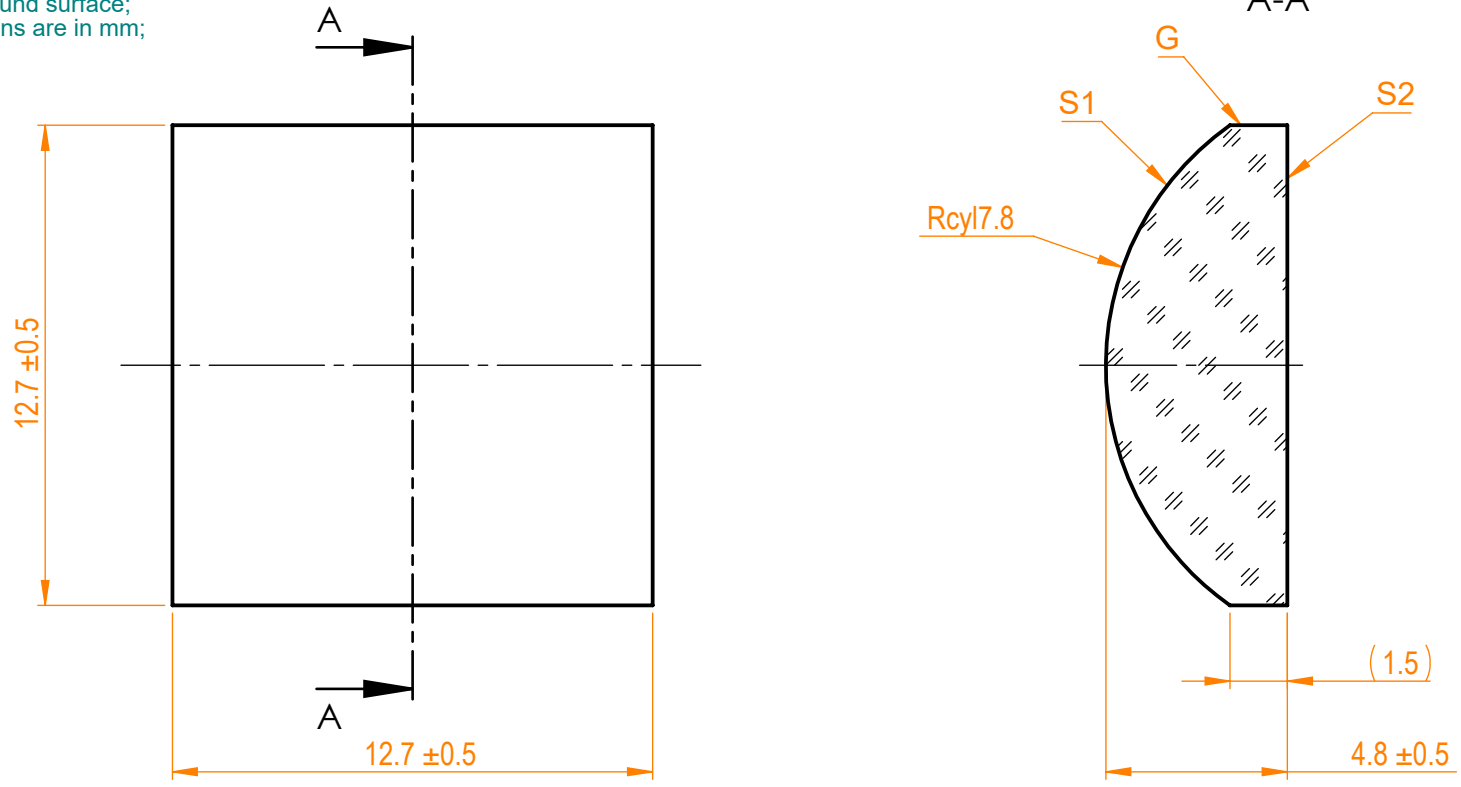


NOTES:


1. Material: BK7;
2. Design wavelength: 546 nm;
3. Focal length: $F=+15 \text{ mm} \pm 2\%$;
4. Centration error: $\leq 3 \text{ arcmin}$;
5. G - Fine ground surface;
6. All dimensions are in mm;



Isometric view 1:1



Specifications are subject to change without notice
 Dimensions are for reference only

Parameters			 info@eksmaoptics.com www.eksmaoptics.com		BK7 pl/cx cylindrical (12.7x12.7) mm, F=15 mm				
	S1	S2			Name	Date	Part number	Rev.	Scale
Shape	Convex	Plano	Proprietary	Approved	A.K.	2020.03.26	120-0105E	A	5:1
Radius of curvature	7.8	Infinity							
Surface quality	40-20 s/d	40-20 s/d	The information in this drawing is property of EKSMA Optics. Any reproduction in part or as a whole without the written permission of EKSMA Optics is prohibited.						
Surface irregularity	1λ @632.8 nm	1λ @632.8 nm							
Clear aperture	≥90%	≥90%							
Protective chamfers	0.2 - 0.3 mm x 45°	0.2 - 0.3 mm x 45°							