

NOTES:

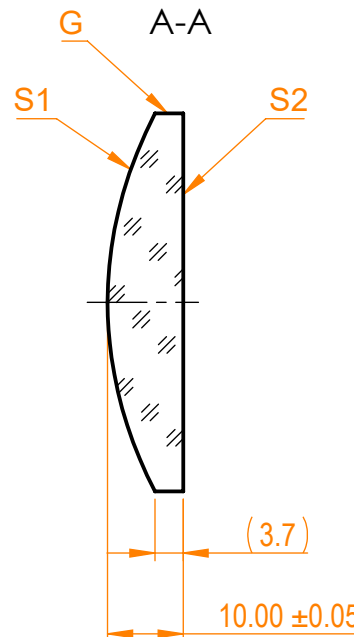
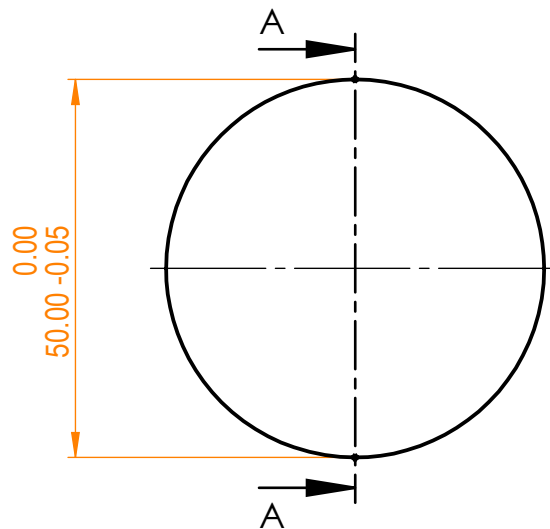
1. Material: N-BK7;
2. Design wavelength: 780 nm;
3. Focal length: F=+100 mm ± 0.05%;
4. Centration error: ≤ 3 arcmin;
5. G - Fine ground surface;
6. All dimensions are in mm;
7. Clear aperture: ≥90%;

	R	k	A ₄	A ₆	A ₈
S1	51.12	-0.85	2.57267E-07	1.97531E-11	1.06573E-15
S2	Infinity	-	-	-	-

$$z = \frac{y^2}{R(1 + \sqrt{1 - (1+k)y^2/R^2})} + A_4y^4 + A_6y^6 + A_8y^8$$




Isometric view 1:2



Specifications are subject to change without notice
Dimensions are for reference only

	Parameters	
	S1	S2
Shape	Convex	Plano
Surface quality	40-20 s/d	40-20 s/d
Surface irregularity	-	λ/4 @632.8 nm
Asphere figure error P-V	±1 μm	-
Surface form deviation RMS	≤0.5 μm	-
Protective chamfers	0.2 - 0.3 mm x 45°	0.2 - 0.3 mm x 45°



info@eksmaoptics.com
www.eksmaoptics.com

N-BK7 pl/cx aspheric lens,
D=50.0 mm, F=100 mm

Proprietary		Name	Date	Part number	Rev.	Scale
The information in this drawing is property of EKSMA Optics. Any reproduction in part or as a whole without the written permission of EKSMA Optics is prohibited.	Approved	A.K.	2020.03.18	115-5100	A	1:1
	Drawn	M.B.	2020.03.18			