

**NOTES:**

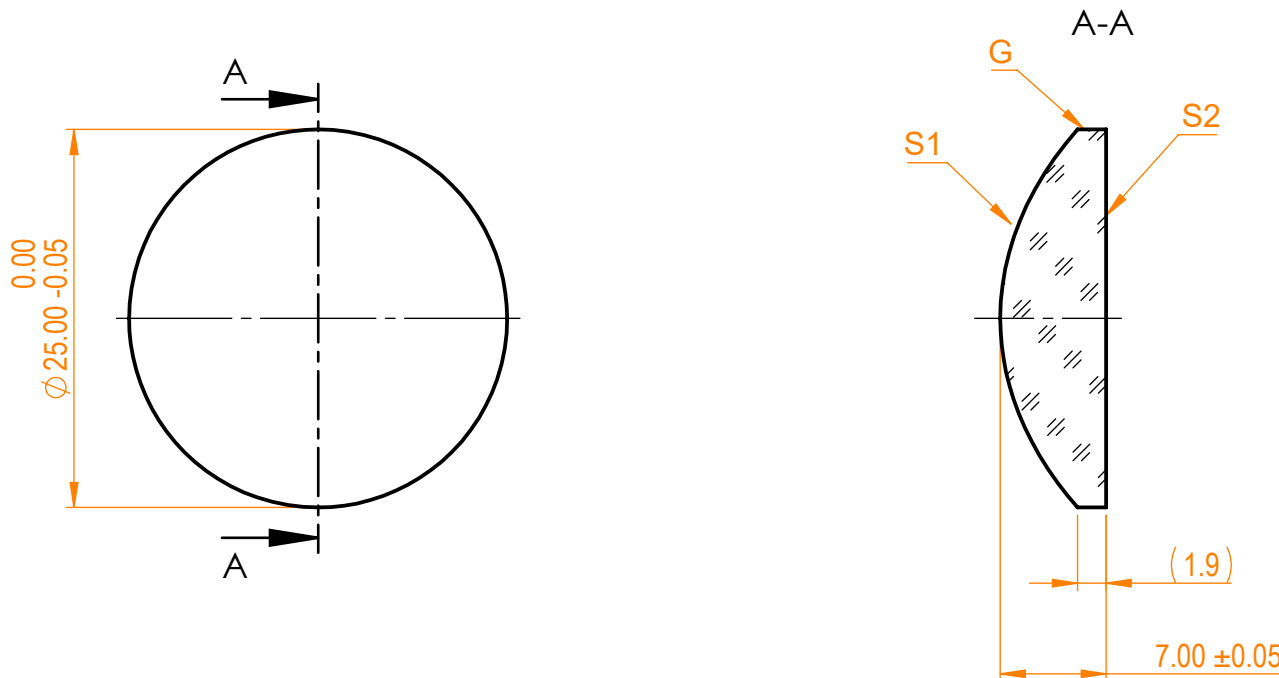
1. Material: N-BK7;
2. Design wavelength: 780 nm;
3. Focal length: F=+32 mm ± 0.05%;
4. Centration error: ≤ 3 arcmin;
5. G - Fine ground surface;
6. All dimensions are in mm;
7. Clear aperture: ≥90%;

	R	k	A <sub>4</sub>	A <sub>6</sub>	A <sub>8</sub>
S1	16.36	-1.2	1.81702E-05	5.60581E-09	5.53485E-12
S2	Infinity	-	-	-	-

$$z = \frac{y^2}{R(1+\sqrt{1-(1+k)y^2/R^2})} + A_4 y^4 + A_6 y^6 + A_8 y^8$$



Isometric view 1:1



Specifications are subject to change without notice  
Dimensions are for reference only

**Parameters**

	S1	S2
Shape	Convex	Plano
Surface quality	40-20 s/d	40-20 s/d
Surface irregularity	-	λ/4 @632.8 nm
Asphere figure error P-V	±1 μm	-
Surface form deviation RMS	≤0.5 μm	-
Protective chamfers	0.2 - 0.3 mm x 45°	0.2 - 0.3 mm x 45°



N-BK7 pl/cx aspheric lens,  
D=25 mm, F=32 mm

Proprietary	Approved	Name	Date	Part number	Rev.	Scale
The information in this drawing is property of EKSMA Optics. Any reproduction in part or as a whole without the written permission of EKSMA Optics is prohibited.	Drawn	A.K.	2020.03.18	115-2532	A	2:1
		M.B.	2020.03.18			