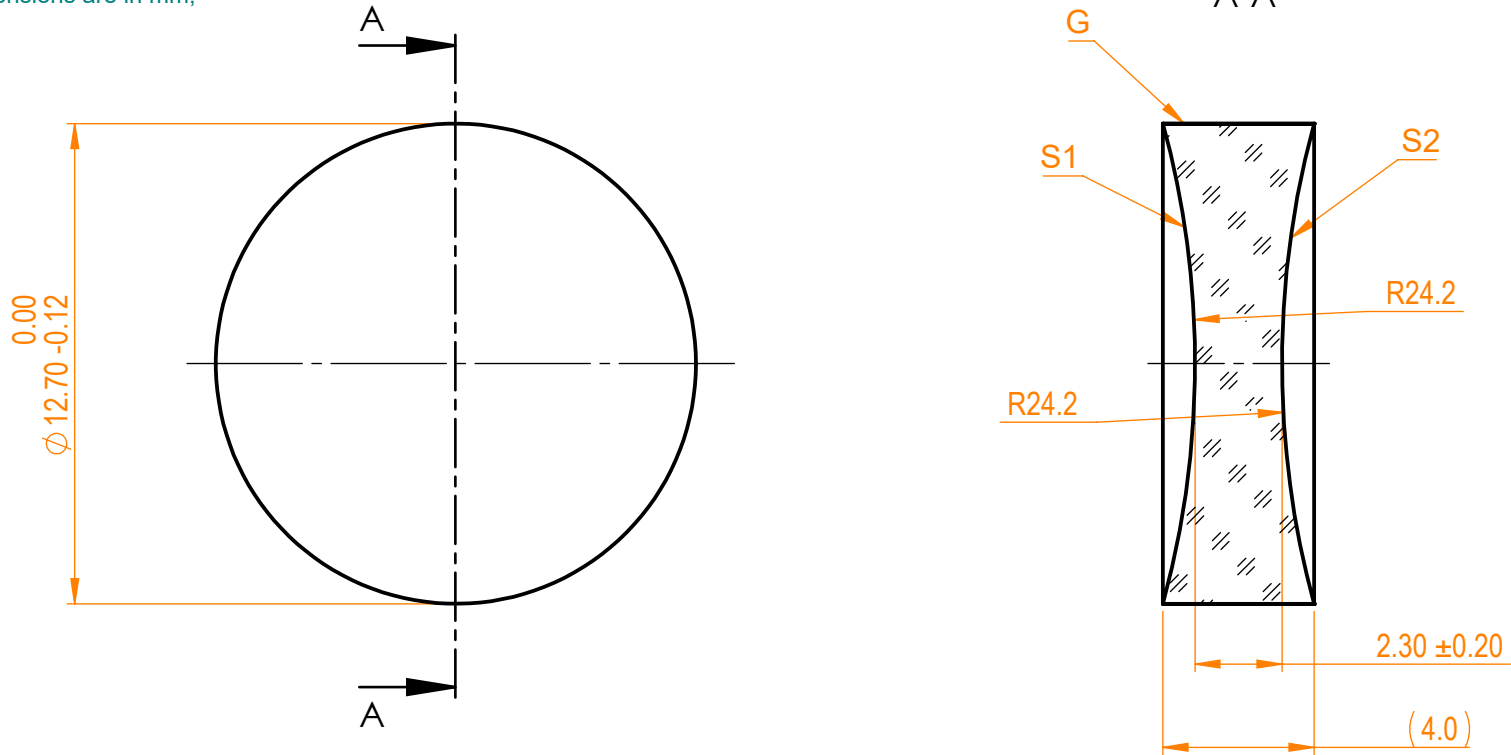



- NOTES:
 1. Material: UVFS;
 2. Design wavelength: 355 nm;
 3. Focal length: $F = -25 \text{ mm} \pm 2\%$;
 4. Centration error: $\leq 3 \text{ arcmin}$;
 5. G - Fine ground surface;
 6. All dimensions are in mm;



Isometric view 1:1



Specifications are subject to change without notice
 Dimensions are for reference only

Parameters			 info@eksmaoptics.com www.eksmaoptics.com		UVFS bi/cv lens, D=12.7 mm, F=-25 mm				
	S1	S2			Name	Date	Part number	Rev.	Scale
Shape	Concave	Concave	Proprietary	Approved	A.K.	114-1108E	A	5:1	
Radius of curvature	24.2	24.2							The information in this drawing is property of EKSMA Optics. Any reproduction in part or as a whole without the written permission of EKSMA Optics is prohibited.
Surface quality	40-20 s/d	40-20 s/d	Drawn	M.B.	2019.08.05				
Surface irregularity	$\lambda/8 @ 632.8 \text{ nm}$	$\lambda/8 @ 632.8 \text{ nm}$							
Clear aperture	$\geq 90\%$	$\geq 90\%$							
Protective chamfers	0.2 - 0.3 mm x 45°	0.2 - 0.3 mm x 45°							