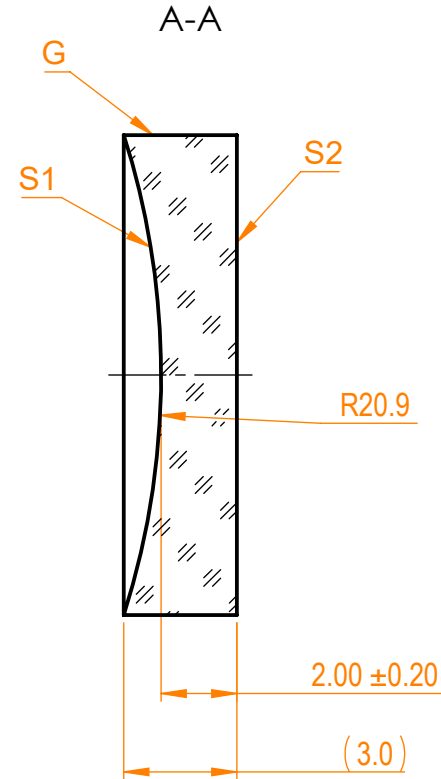
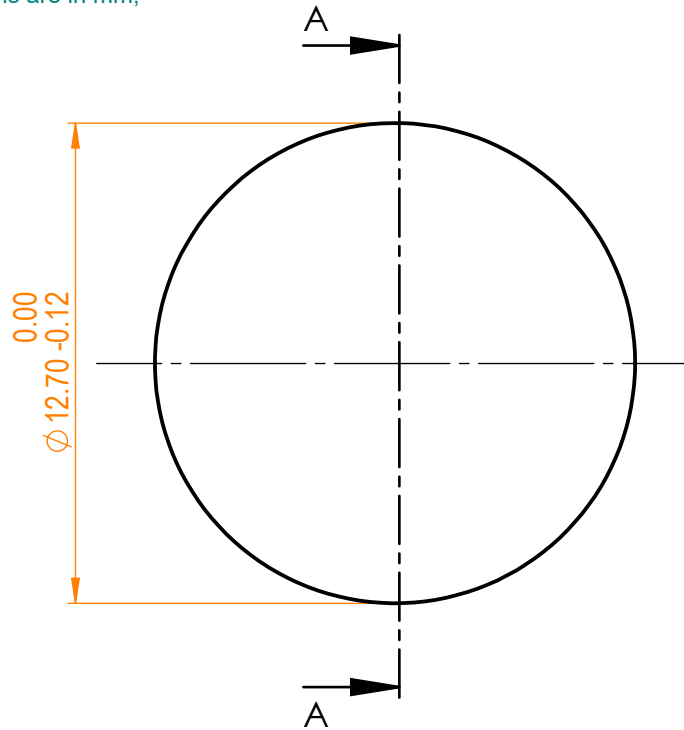



- NOTES:
 1. Material: CaF₂;
 2. Design wavelength: 2940 nm;
 3. Focal length: F=-50 mm ± 2%;
 4. Centration error: ≤ 3 arcmin;
 5. G - Fine ground surface;
 6. All dimensions are in mm;



Isometric view 1:1



Specifications are subject to change without notice
 Dimensions are for reference only

Parameters					CaF ₂ pl/cv lens, D=12.7 mm, F=-50 mm				
	S1	S2							
Shape	Concave	Plano	The information in this drawing is property of EKSMA Optics. Any reproduction in part or as a whole without the written permission of EKSMA Optics is prohibited.	Approved	A.K.	2019.07.25	112-5109E	A	5:1
Radius of curvature	20.9	Infinity							
Surface quality	40-20 s/d	40-20 s/d							
Surface irregularity	λ/8 @632.8 nm	λ/8 @632.8 nm							
Clear aperture	≥90%	≥90%							
Protective chamfers	0.2 - 0.3 mm x 45°	0.2 - 0.3 mm x 45°							