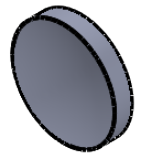
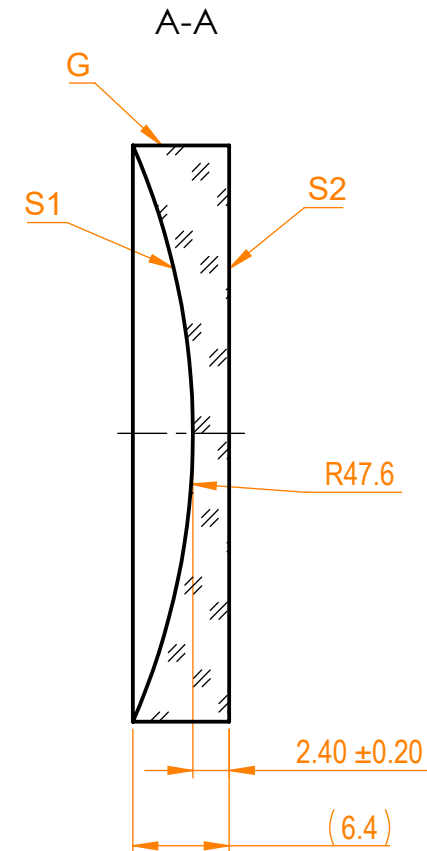
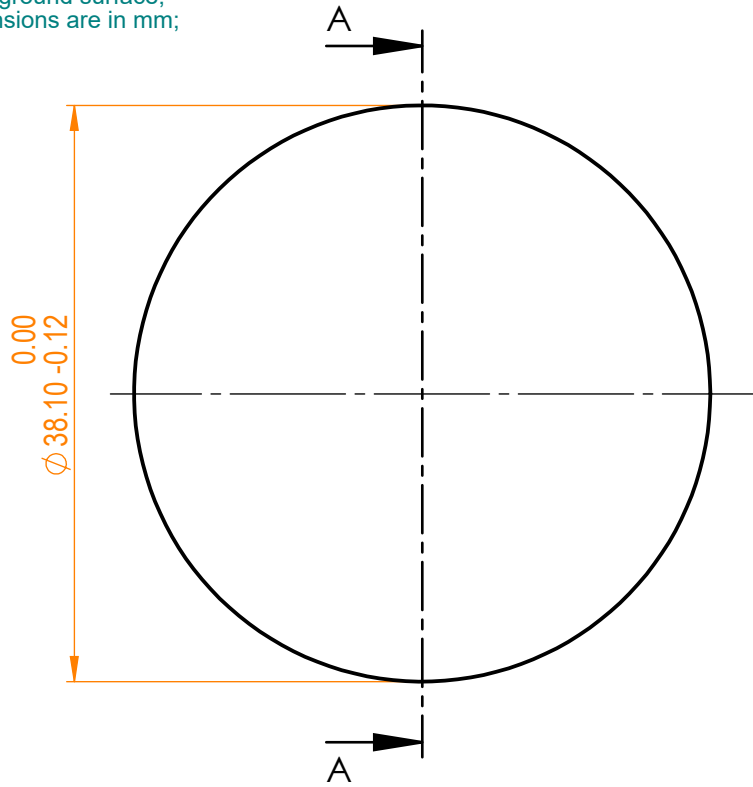



NOTES:

1. Material: UVFS;
2. Design wavelength: 355 nm;
3. Focal length: $F = -100 \text{ mm} \pm 2\%$;
4. Centration error: $\leq 3 \text{ arcmin}$;
5. G - Fine ground surface;
6. All dimensions are in mm;



Isometric view 1:2

Specifications are subject to change without notice
Dimensions are for reference only

Parameters					UVFS pl/cv lens, D=38.1 mm, F=-100 mm					
	S1	S2								
Shape	Concave	Plano	info@eksmaoptics.com www.eksmaoptics.com		Proprietary	Name	Date	Part number	Rev.	Scale
Radius of curvature	47.6	Infinity								
Surface quality	40-20 s/d	40-20 s/d			Approved	A.K.	2019.07.25	112-1411E	A	2:1
Surface irregularity	$\lambda/8 @632.8 \text{ nm}$	$\lambda/8 @632.8 \text{ nm}$								
Clear aperture	$\geq 90\%$	$\geq 90\%$			Drawn	M.B.	2019.07.25			
Protective chamfers	0.2 - 0.3 mm x 45°	0.2 - 0.3 mm x 45°								

The information in this drawing is property of EKSMA Optics. Any reproduction in part or as a whole without the written permission of EKSMA Optics is prohibited.