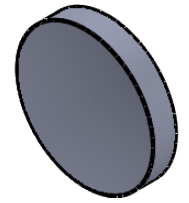
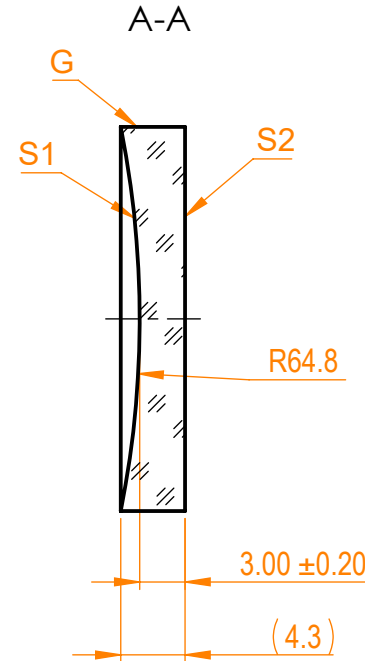
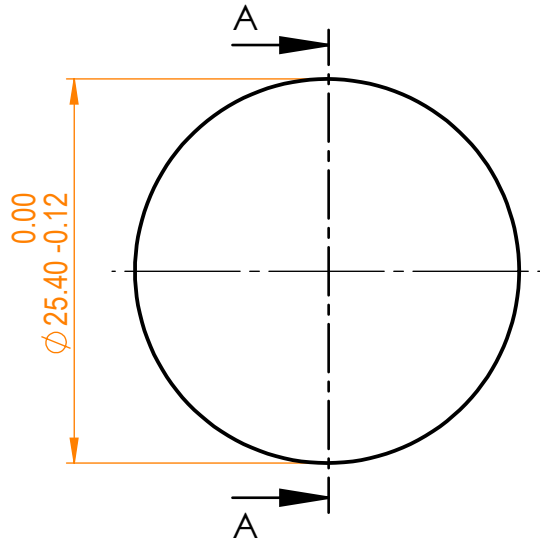


NOTES:

1. Material: N-BK7;
2. Design wavelength: 546 nm;
3. Focal length: $F = -125 \text{ mm} \pm 2\%$;
4. Centration error: $\leq 3 \text{ arcmin}$;
5. G - Fine ground surface;
6. All dimensions are in mm;



Isometric view 1:1



Specifications are subject to change without notice
Dimensions are for reference only

Parameters

| | S1 | S2 |
|----------------------|--------------------------------|--------------------------------|
| Shape | Concave | Plano |
| Radius of curvature | 64.8 | Infinity |
| Surface quality | 40-20 s/d | 40-20 s/d |
| Surface irregularity | $\lambda/8 @ 632.8 \text{ nm}$ | $\lambda/8 @ 632.8 \text{ nm}$ |
| Clear aperture | $\geq 90\%$ | $\geq 90\%$ |
| Protective chamfers | 0.2 - 0.3 mm x 45° | 0.2 - 0.3 mm x 45° |



N-BK7 pl/cv lens, D=25.4 mm, F=-125 mm

| Proprietary | Approved | Name | Date | Part number | Rev. | Scale |
|-------------------------------------------------------------------------------------------------------------------------------------------------------------------|----------|------|------------|-------------|------|-------|
| The information in this drawing is property of EKSMA Optics. Any reproduction in part or as a whole without the written permission of EKSMA Optics is prohibited. | Approved | A.K. | 2019.06.20 | 112-0223E | A | 2:1 |
| | Drawn | M.B. | 2019.06.20 | | | |