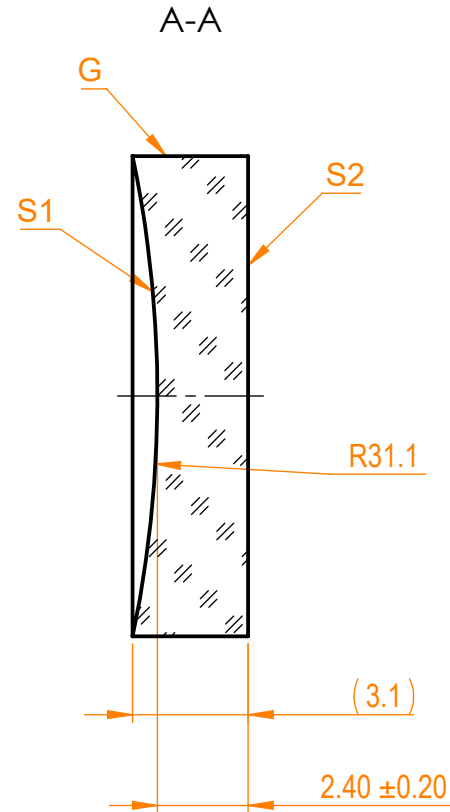
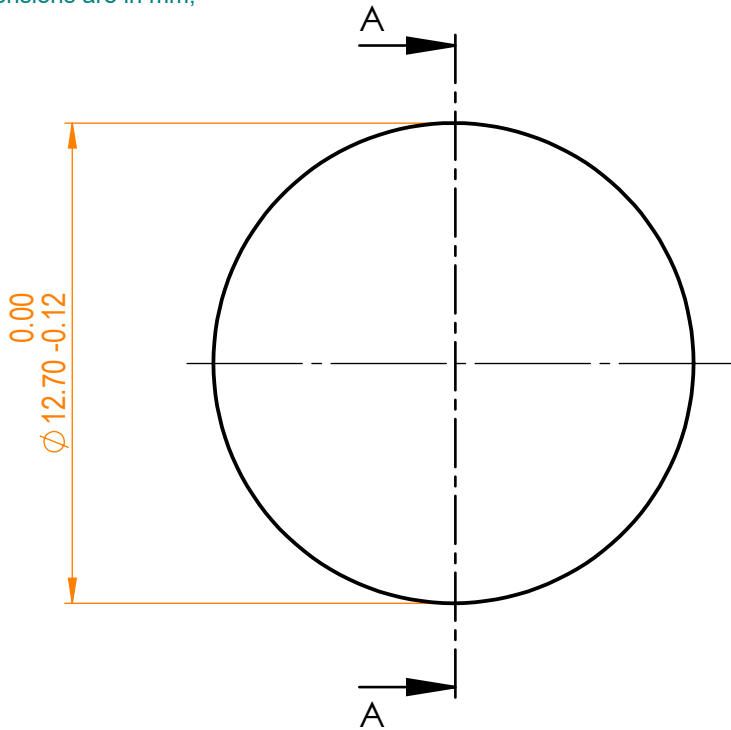


NOTES:


1. Material: N-BK7;
2. Design wavelength: 546 nm;
3. Focal length: $F = -60 \text{ mm} \pm 2\%$;
4. Centration error: $\leq 3 \text{ arcmin}$;
5. G - Fine ground surface;
6. All dimensions are in mm;



Isometric view 1:1



Specifications are subject to change without notice
 Dimensions are for reference only

| Parameters | | |  info@eksmaoptics.com www.eksmaoptics.com | | N-BK7 pl/cv lens, D=12.7 mm, F=-60 mm | | | | |
|----------------------|-------------------------------|-------------------------------|--------------------------------------------------------------------------------------------------------------------------------------|----------|---------------------------------------|------------|-------------|------|-------|
| | S1 | S2 | | | Name | Date | Part number | Rev. | Scale |
| Shape | Concave | Plano | Proprietary | Approved | A.K. | 2019.06.20 | 112-0112E | A | 5:1 |
| Radius of curvature | 31.1 | Infinity | | | | | | | |
| Surface quality | 40-20 s/d | 40-20 s/d | | | | | | | |
| Surface irregularity | $\lambda/8 @632.8 \text{ nm}$ | $\lambda/8 @632.8 \text{ nm}$ | | | | | | | |
| Clear aperture | $\geq 90\%$ | $\geq 90\%$ | | | | | | | |
| Protective chamfers | 0.2 - 0.3 mm x 45° | 0.2 - 0.3 mm x 45° | | | | | | | |