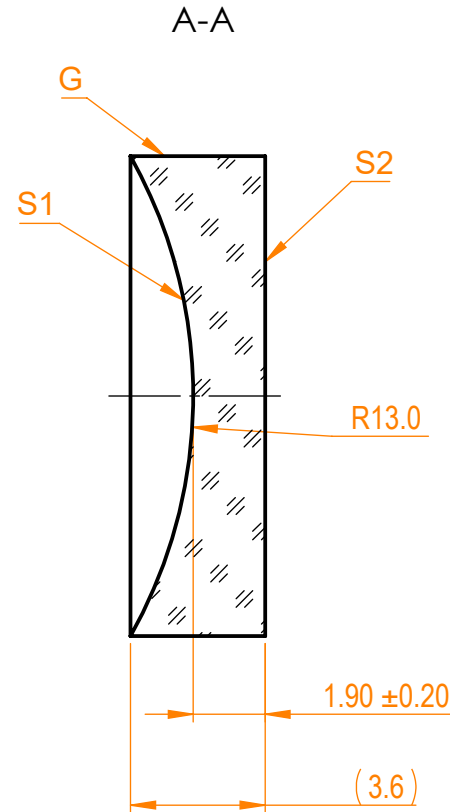
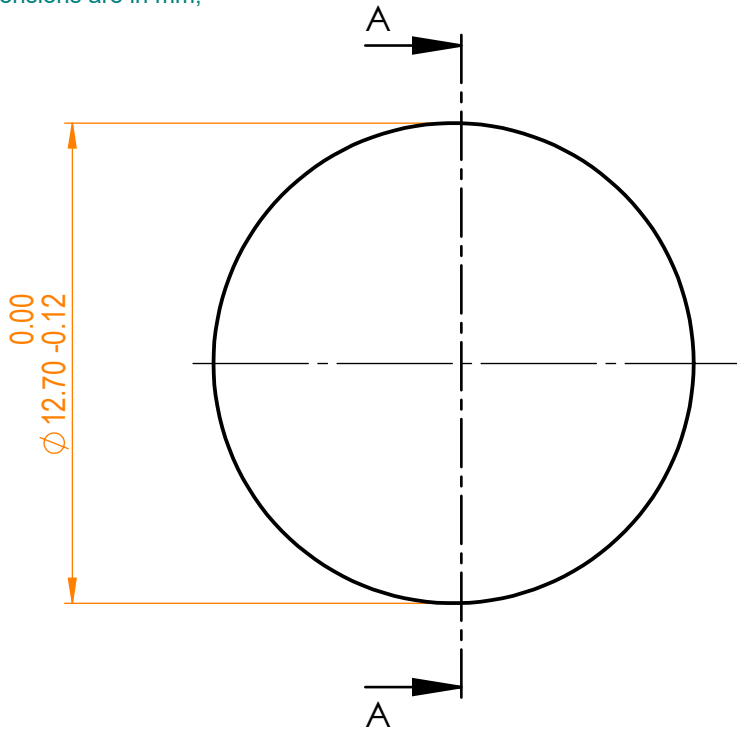



- NOTES:  
 1. Material: N-BK7;  
 2. Design wavelength: 546 nm;  
 3. Focal length:  $F = -25 \text{ mm} \pm 2\%$ ;  
 4. Centration error:  $\leq 3 \text{ arcmin}$ ;  
 5. G - Fine ground surface;  
 6. All dimensions are in mm;



Isometric view 1:1



Specifications are subject to change without notice  
 Dimensions are for reference only

Parameters			 info@eksmaoptics.com www.eksmaoptics.com		N-BK7 pl/cv lens, D=12.7 mm, F=-25 mm				
	S1	S2			Proprietary	Name	Date	Part number	Rev.
Shape	Concave	Plano	The information in this drawing is property of EKSMA Optics. Any reproduction in part or as a whole without the written permission of EKSMA Optics is prohibited.	Approved	A.K.	2019.06.20	112-0105E	A	5:1
Radius of curvature	13.0	Infinity			Drawn	M.B.			
Surface quality	40-20 s/d	40-20 s/d							
Surface irregularity	$\lambda/8 @632.8 \text{ nm}$	$\lambda/8 @632.8 \text{ nm}$							
Clear aperture	$\geq 90\%$	$\geq 90\%$							
Protective chamfers	0.2 - 0.3 mm x 45°	0.2 - 0.3 mm x 45°							