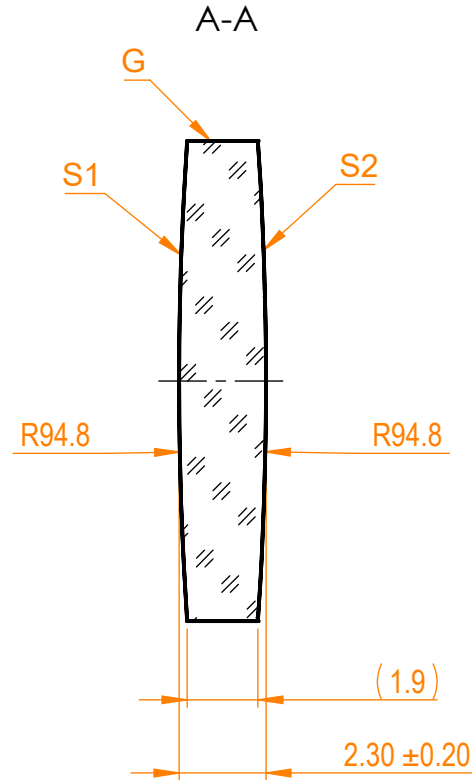
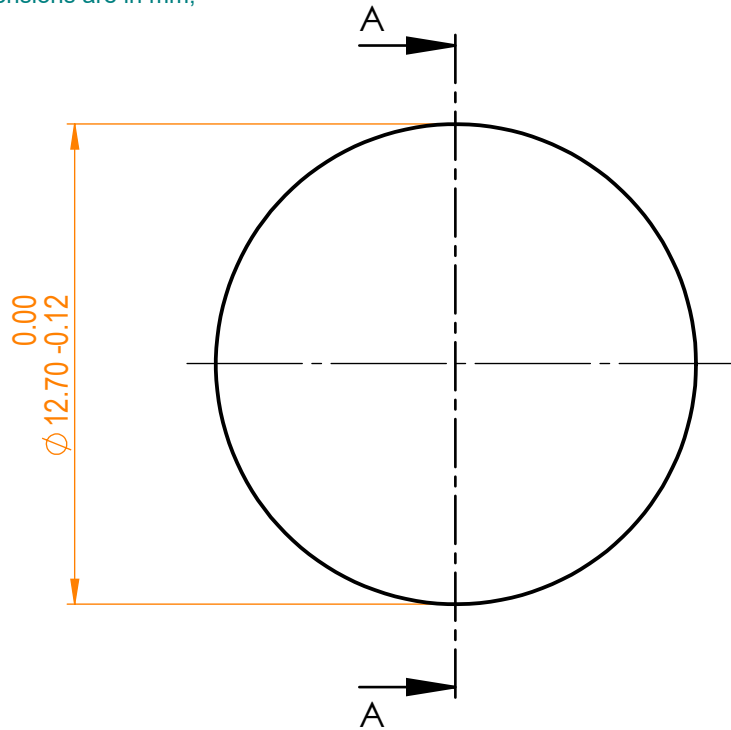


NOTES:

1. Material: UVFS;
2. Design wavelength: 355 nm;
3. Focal length: $F=+100\text{ mm} \pm 2\%$;
4. Centration error: $\leq 3\text{ arcmin}$;
5. G - Fine ground surface;
6. All dimensions are in mm;



Isometric view 1:1



Specifications are subject to change without notice
Dimensions are for reference only

Parameters

	S1	S2
Shape	Convex	Convex
Radius of curvature	94.8	94.8
Surface quality	40-20 s/d	40-20 s/d
Surface irregularity	$\lambda/8$ @632.8 nm	$\lambda/8$ @632.8 nm
Clear aperture	$\geq 90\%$	$\geq 90\%$
Protective chamfers	0.2 - 0.3 mm x 45°	0.2 - 0.3 mm x 45°



UVFS bi/cx lens, D=12.7 mm, F=100 mm

Proprietary	Name	Date	Part number	Rev.	Scale
The information in this drawing is property of EKSMA Optics. Any reproduction in part or as a whole without the written permission of EKSMA Optics is prohibited.	Approved	A.K.	2019.05.22	111-1122E	A
	Drawn	M.B.	2019.05.22		