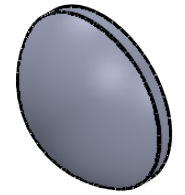
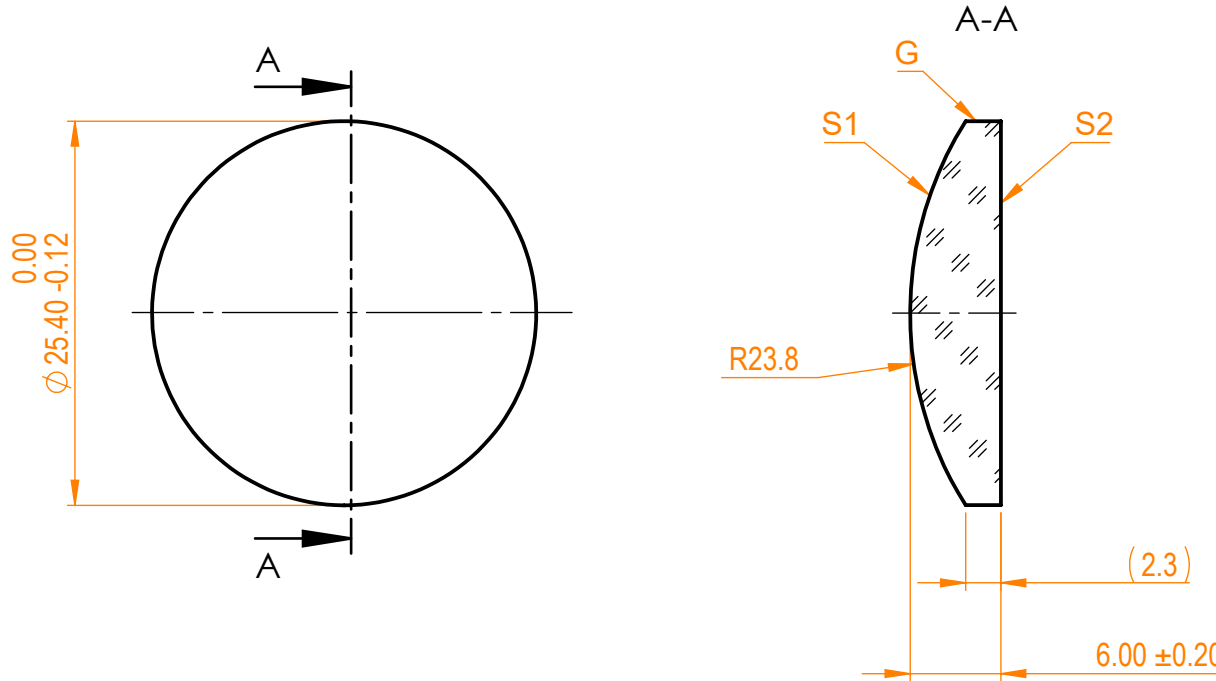


**NOTES:**

1. Material: UVFS;
2. Design wavelength: 355 nm;
3. Focal length: F=+50 mm ± 2%;
4. Centration error: ≤ 3 arcmin;
5. G - Fine ground surface;
6. All dimensions are in mm;



Isometric view 1:1



Specifications are subject to change without notice  
Dimensions are for reference only

Parameters

|                      | S1                    | S2                    |
|----------------------|-----------------------|-----------------------|
| Shape                | Convex                | Plano                 |
| Radius of curvature  | 23.8                  | Infinity              |
| Surface quality      | 40-20 s/d             | 40-20 s/d             |
| Surface irregularity | $\lambda/8$ @632.8 nm | $\lambda/8$ @632.8 nm |
| Clear aperture       | ≥90%                  | ≥90%                  |
| Protective chamfers  | 0.2 - 0.3 mm x 45°    | 0.2 - 0.3 mm x 45°    |



UVFS pl/cx lens, D=25.4 mm, F=50 mm

| Proprietary   | Name     | Date | Part number | Rev.      | Scale |
|---|----------|------|-------------|-----------|-------|
| The information in this drawing is property of EKSMA Optics. Any reproduction in part or as a whole without the written permission of EKSMA Optics is prohibited. | Approved | A.K. | 2019.03.28  | 110-1205E | A     |
|   | Drawn    | M.B. | 2019.03.28  |           |       |