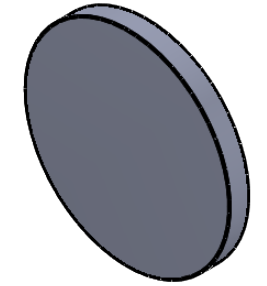
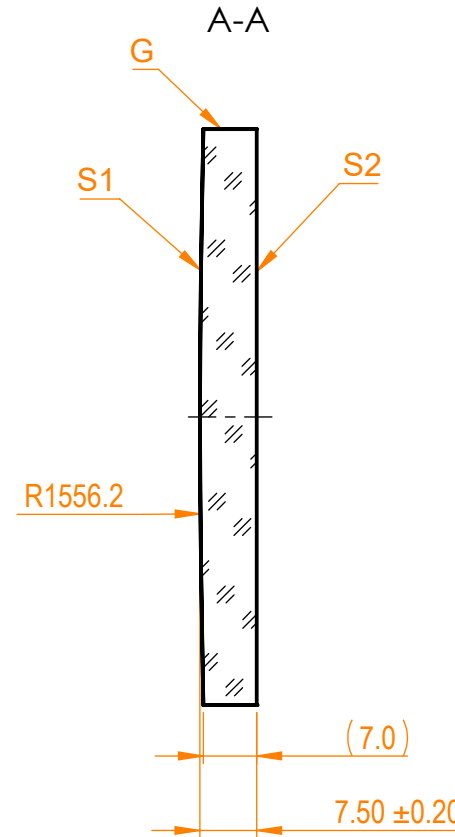
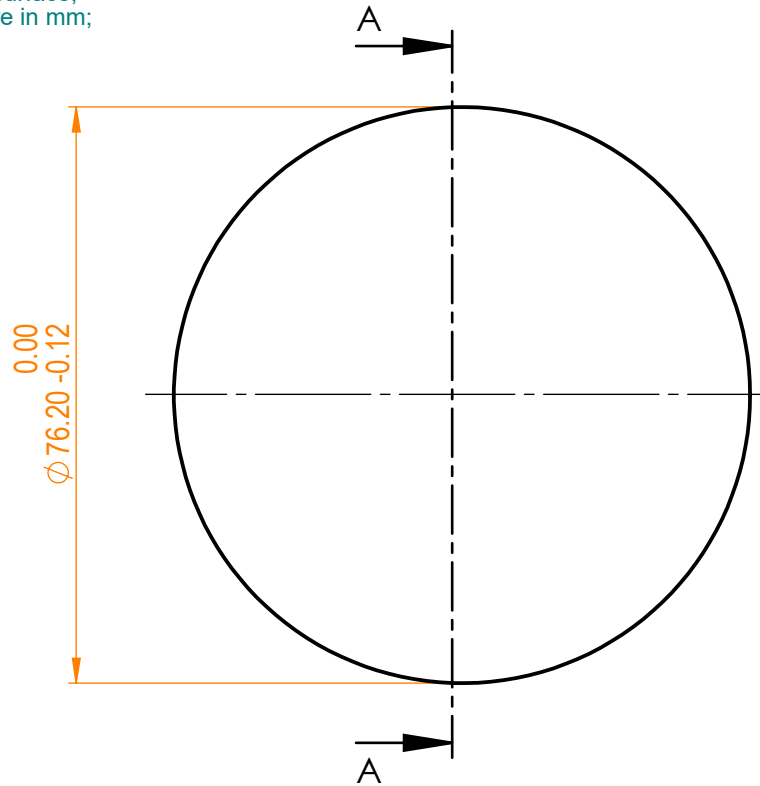



- NOTES:
 1. Material: N-BK7;
 2. Design wavelength: 546 nm;
 3. Focal length: $F=+3000 \text{ mm} \pm 2\%$;
 4. Centration error: $\leq 3 \text{ arcmin}$;
 5. G - Fine ground surface;
 6. All dimensions are in mm;



Isometric view 1:2

Specifications are subject to change without notice
 Dimensions are for reference only

| Parameters | | |  info@eksmaoptics.com www.eksmaoptics.com | | N-BK7 pl/cx lens, D=76.2 mm, F=3000 mm | | | | |
|----------------------|-------------------------------|-------------------------------|-------------------------------------------------------------------------------------------------------------------------------------------------------------------|----------|----------------------------------------|------------|-----------|-------------|------|
| | S1 | S2 | | | Proprietary | Name | Date | Part number | Rev. |
| Shape | Convex | Plano | The information in this drawing is property of EKSMA Optics. Any reproduction in part or as a whole without the written permission of EKSMA Optics is prohibited. | Approved | A.K. | 2019.03.01 | 110-0748E | A | 1:1 |
| Radius of curvature | 1556.2 | Infinity | | | | | | | |
| Surface quality | 40-20 s/d | 40-20 s/d | | | | | | | |
| Surface irregularity | $\lambda/8 @632.8 \text{ nm}$ | $\lambda/8 @632.8 \text{ nm}$ | | | | | | | |
| Clear aperture | $\geq 90\%$ | $\geq 90\%$ | | | | | | | |
| Protective chamfers | 0.2 - 0.3 mm x 45° | 0.2 - 0.3 mm x 45° | | | | | | | |