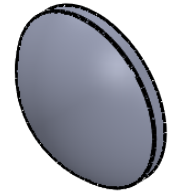
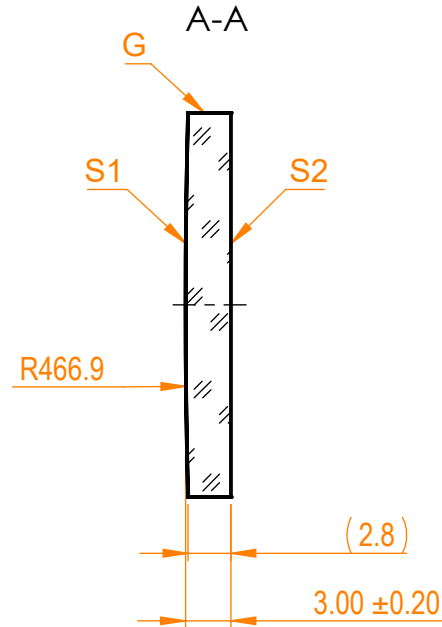
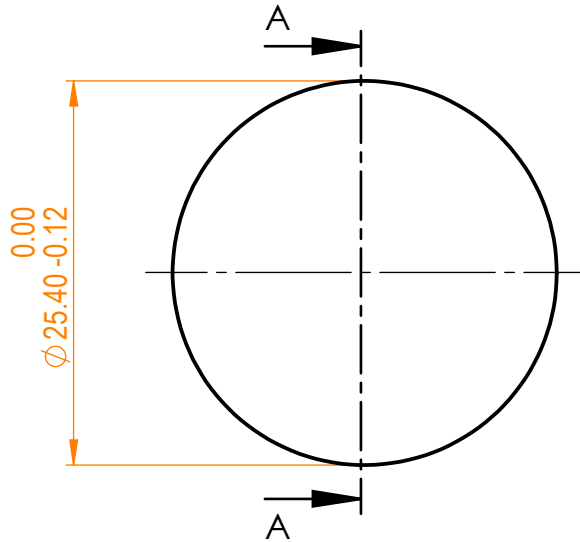


**NOTES:**

1. Material: N-BK7;
2. Design wavelength: 546 nm;
3. Focal length: F=+900 mm ± 2%;
4. Centration error: ≤ 3 arcmin;
5. G - Fine ground surface;
6. All dimensions are in mm;



Isometric view 1:1



Specifications are subject to change without notice  
Dimensions are for reference only

| Parameters           |                    |                    |
|----------------------|--------------------|--------------------|
|                      | S1                 | S2                 |
| Shape                | Convex             | Plano              |
| Radius of curvature  | 466.9              | Infinity           |
| Surface quality      | 40-20 s/d          | 40-20 s/d          |
| Surface irregularity | λ/8 @632.8 nm      | λ/8 @632.8 nm      |
| Clear aperture       | ≥90%               | ≥90%               |
| Protective chamfers  | 0.2 - 0.3 mm x 45° | 0.2 - 0.3 mm x 45° |



N-BK7 pl/cx lens, D=25.4 mm, F=900 mm

| Proprietary   | Name     | Date | Part number | Rev.      | Scale |
|---|----------|------|-------------|-----------|-------|
| The information in this drawing is property of EKSMA Optics. Any reproduction in part or as a whole without the written permission of EKSMA Optics is prohibited. | Approved | A.K. | 2019.02.01  | 110-0257E | A     |
|   | Drawn    | M.B. | 2019.02.01  |           |       |