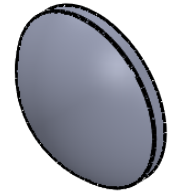
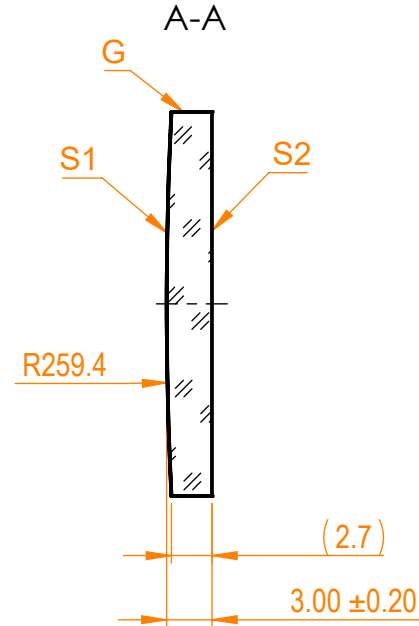
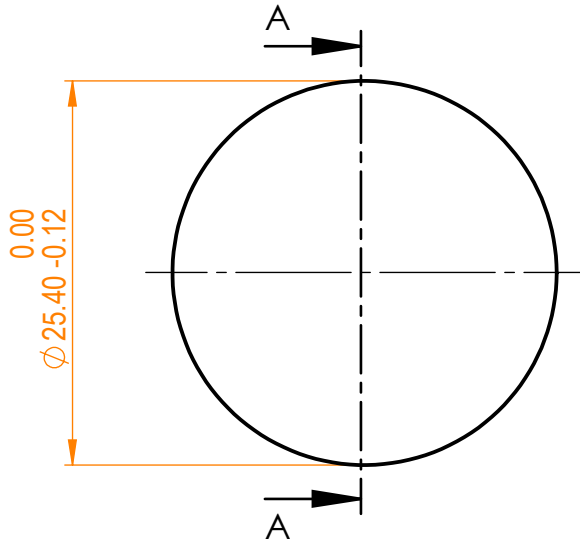


NOTES:

1. Material: N-BK7;
2. Design wavelength: 546 nm;
3. Focal length: F=+500 mm ± 2%;
4. Centration error: ≤ 3 arcmin;
5. G - Fine ground surface;
6. All dimensions are in mm;



Isometric view 1:1



Specifications are subject to change without notice
 Dimensions are for reference only

| Parameters | | |
|----------------------|--------------------|--------------------|
| | S1 | S2 |
| Shape | Convex | Plano |
| Radius of curvature | 259.4 | Infinity |
| Surface quality | 40-20 s/d | 40-20 s/d |
| Surface irregularity | λ/8 @632.8 nm | λ/8 @632.8 nm |
| Clear aperture | ≥90% | ≥90% |
| Protective chamfers | 0.2 - 0.3 mm x 45° | 0.2 - 0.3 mm x 45° |



N-BK7 pl/cx lens, D=25.4 mm, F=500 mm

| Proprietary | Name | Date | Part number | Rev. | Scale |
|---|----------|------|-------------|-----------|-------|
| The information in this drawing is property of EKSMA Optics. Any reproduction in part or as a whole without the written permission of EKSMA Optics is prohibited. | Approved | A.K. | 2019.02.01 | 110-0247E | A |
| | Drawn | M.B. | 2019.02.01 | | |