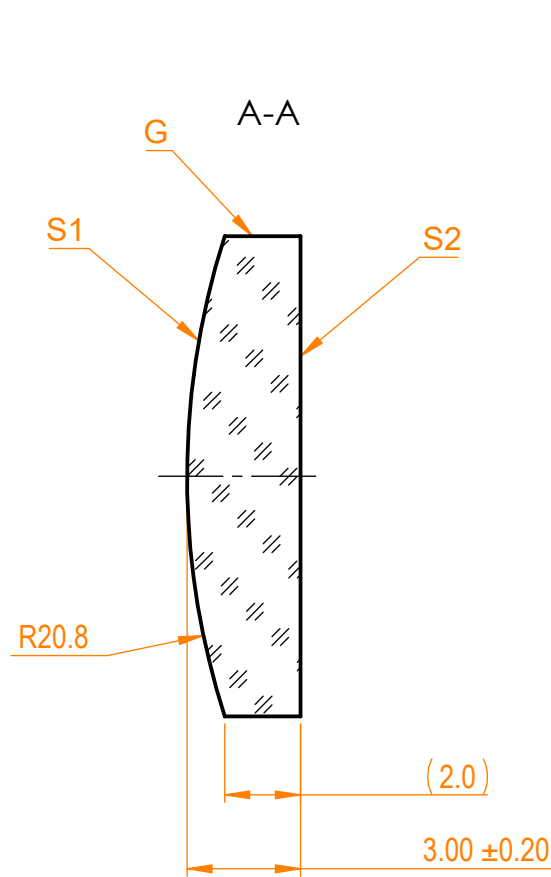
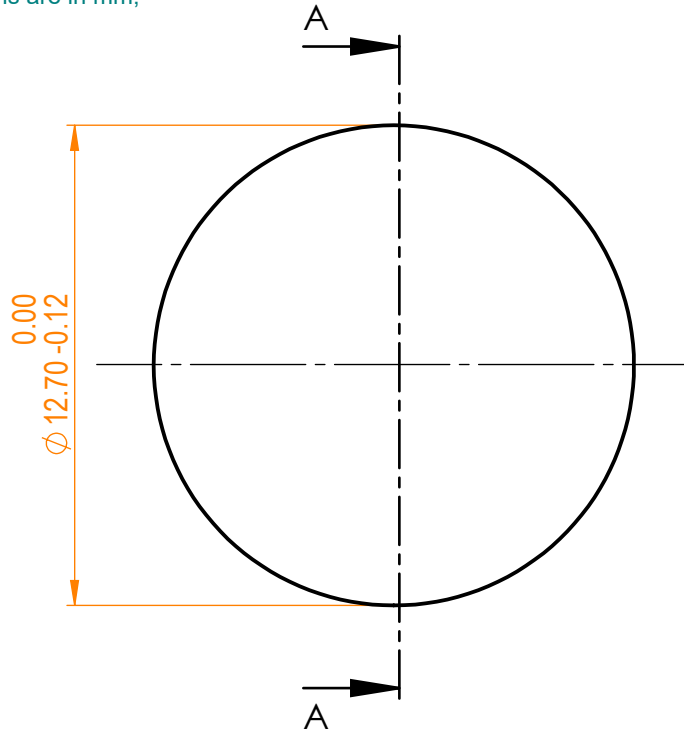



NOTES:

1. Material: N-BK7;
2. Design wavelength: 546 nm;
3. Focal length: $F=+40 \text{ mm} \pm 2\%$;
4. Centration error: $\leq 3 \text{ arcmin}$;
5. G - Fine ground surface;
6. All dimensions are in mm;



Specifications are subject to change without notice
 Dimensions are for reference only

| Parameters | | |  info@eksmaoptics.com www.eksmaoptics.com | | N-BK7 pl/cx lens, D=12.7 mm, F=40 mm | | | | |
|----------------------|-------------------------------|-------------------------------|---|----------|--------------------------------------|------------|-------------|------|-------|
| | S1 | S2 | | | Name | Date | Part number | Rev. | Scale |
| Shape | Convex | Plano | Proprietary | Approved | A.K. | 2019.02.01 | 110-0107E | A | 5:1 |
| Radius of curvature | 20.8 | Infinity | | | | | | | |
| Surface quality | 40-20 s/d | 40-20 s/d | The information in this drawing is property of EKSMA Optics. Any reproduction in part or as a whole without the written permission of EKSMA Optics is prohibited. | | | | | | |
| Surface irregularity | $\lambda/8 @632.8 \text{ nm}$ | $\lambda/8 @632.8 \text{ nm}$ | | | | | | | |
| Clear aperture | $\geq 90\%$ | $\geq 90\%$ | | | | | | | |
| Protective chamfers | 0.2 - 0.3 mm x 45° | 0.2 - 0.3 mm x 45° | | | | | | | |