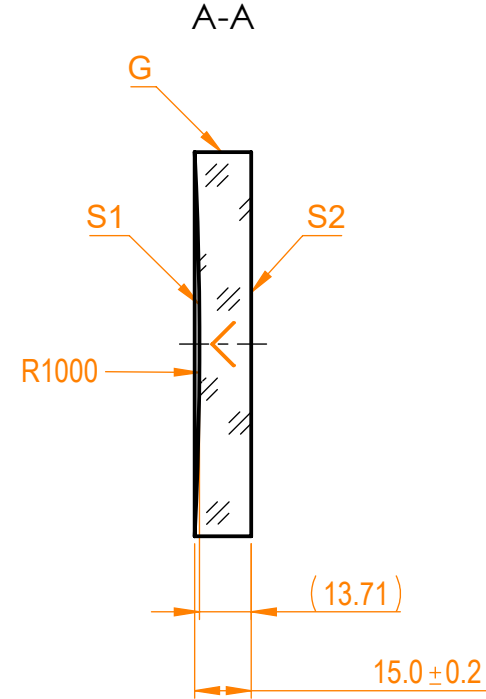
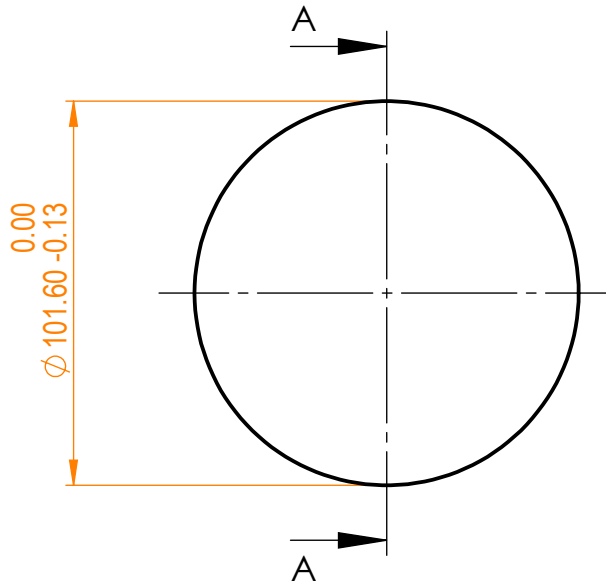


NOTES:


1. Material: UVFS;
2. G - Fine ground surface;
3. All dimensions are in mm;
4. Wedge: <3 min;
5. Protective chamfers: 0.3 mm x 45°;
6. Laser Induced Damage Threshold:
 - > 0.25 J/cm² at @800nm, 50Hz, 94fsec pulses,
 - > 1.8 J/cm² at @1064nm, 50Hz, 11nsec pulses;



Isometric view 1:8



Specifications are subject to change without notice
Dimensions are for reference only

Parameters						UVFS pl/cv mirror, D=101.6 mm, T=15 mm					
	S1	S2				Name	Date	Part number	Rev.	Scale	
Shape	Concave	Plano			Proprietary	Approved	A.K.	2020.11.16	098-3125R-1000	A	1:2
Radius of curvature	1000	Infinity									
Surface flatness	λ/10 @633nm	λ @633nm per inch									
Surface quality	40-20 s/d	80-50 s/d									
Clear aperture	>90%	>90%									
Coating	Protected silver R _{avg} >96%@400nm - IR	Uncoated									