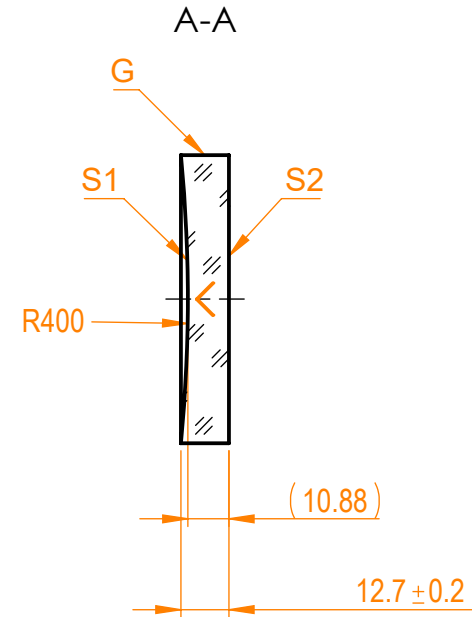
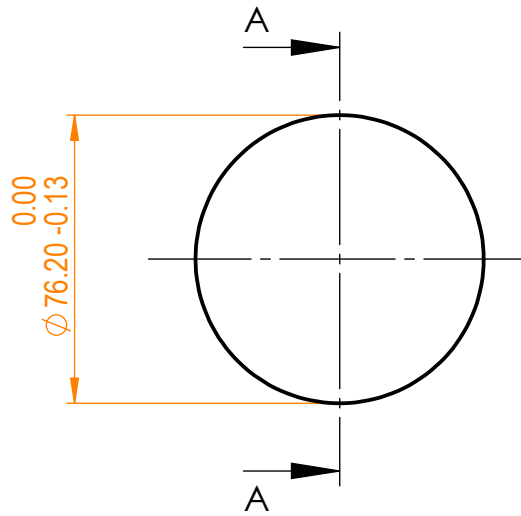


**NOTES:**


1. Material: UVFS;
2. G - Fine ground surface;
3. All dimensions are in mm;
4. Wedge: <3 min;
5. Protective chamfers: 0.3 mm x 45°;
6. Laser Induced Damage Threshold:
  - > 0.25 J/cm<sup>2</sup> at @800nm, 50Hz, 94fsec pulses,
  - > 1.8 J/cm<sup>2</sup> at @1064nm, 50Hz, 11nsec pulses;



Isometric view 1:6



Specifications are subject to change without notice  
 Dimensions are for reference only

Parameters						UVFS pl/cv mirror, D=76.2 mm, T=12.7 mm					
	S1	S2									
Shape	Concave	Plano									
Radius of curvature	400	Infinity									
Surface flatness	$\lambda/10$ @633nm	$\lambda$ @633nm per inch									
Surface quality	40-20 s/d	80-50 s/d									
Clear aperture	>90%	>90%									
Coating	Protected silver R <sub>avg</sub> >96%@400nm - IR	Uncoated									
				Proprietary		Name		Date		Part number	
				Approved		A.K.		2020.11.16		097-3125R-400	
				Drawn		V.S.		2020.11.16		A	
				The information in this drawing is property of EKSMA Optics. Any reproduction in part or as a whole without the written permission of EKSMA Optics is prohibited.		Scale		1:2		1:2	