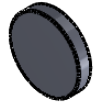
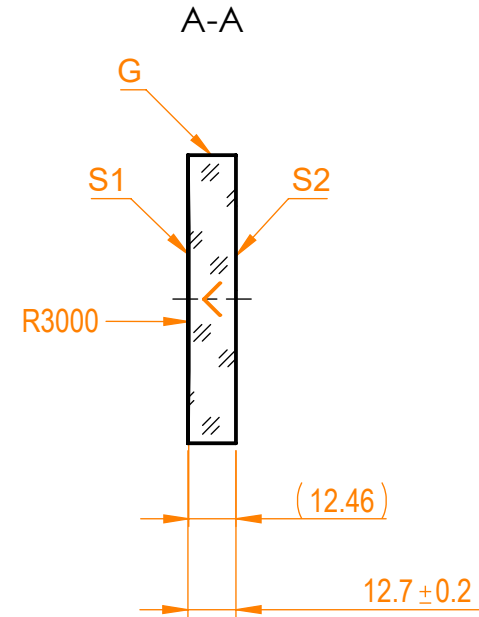
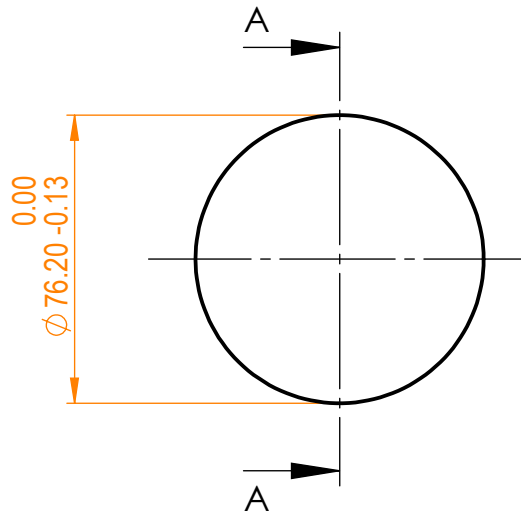


**NOTES:**


1. Material: UVFS;
2. G - Fine ground surface;
3. All dimensions are in mm;
4. Wedge: <3 min;
5. Protective chamfers: 0.3 mm x 45°;
6. Laser Induced Damage Threshold:
  - > 0.25 J/cm<sup>2</sup> at @800nm, 50Hz, 94fsec pulses,
  - > 1.8 J/cm<sup>2</sup> at @1064nm, 50Hz, 11nsec pulses;



Isometric view 1:6



Specifications are subject to change without notice  
Dimensions are for reference only

| Parameters          |                                                      |                   |  | <br>info@eksmaoptics.com<br>www.eksmaoptics.com                              |          | UVFS pl/cv mirror, D=76.2 mm, T=12.7 mm |            |                |      |       |
|---------------------|------------------------------------------------------|-------------------|--|-------------------------------------------------------------------------------------------------------------------------------------------------------------------|----------|-----------------------------------------|------------|----------------|------|-------|
|                     | S1                                                   | S2                |  |                                                                                                                                                                   |          |                                         |            |                |      |       |
| Shape               | Concave                                              | Plano             |  |                                                                                                                                                                   |          |                                         |            |                |      |       |
| Radius of curvature | 3000                                                 | Infinity          |  |                                                                                                                                                                   |          |                                         |            |                |      |       |
| Surface flatness    | λ/10 @633nm                                          | λ @633nm per inch |  |                                                                                                                                                                   |          |                                         |            |                |      |       |
| Surface quality     | 40-20 s/d                                            | 80-50 s/d         |  |                                                                                                                                                                   |          |                                         |            |                |      |       |
| Clear aperture      | >90%                                                 | >90%              |  |                                                                                                                                                                   |          |                                         |            |                |      |       |
| Coating             | Protected silver<br>R <sub>avg</sub> >96%@400nm - IR | Uncoated          |  |                                                                                                                                                                   |          |                                         |            |                |      |       |
|                     |                                                      |                   |  | Proprietary                                                                                                                                                       |          | Name                                    | Date       | Part number    | Rev. | Scale |
|                     |                                                      |                   |  | The information in this drawing is property of EKSMA Optics. Any reproduction in part or as a whole without the written permission of EKSMA Optics is prohibited. | Approved | A.K.                                    | 2020.11.16 | 097-3125R-3000 | A    | 1:2   |
|                     |                                                      |                   |  |                                                                                                                                                                   | Drawn    | V.S.                                    | 2020.11.16 |                |      |       |