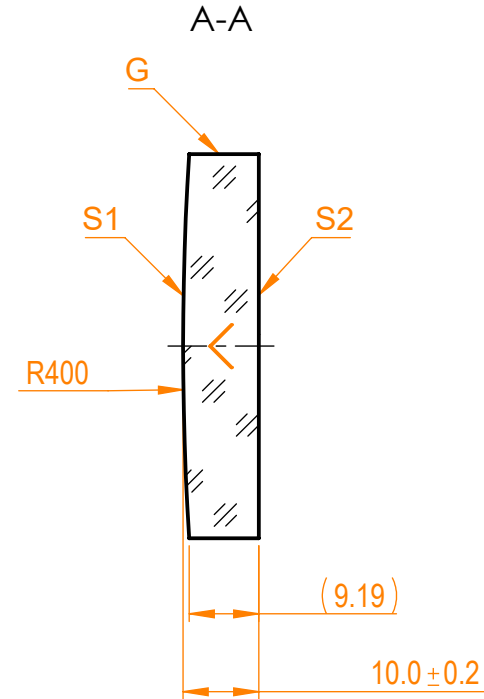
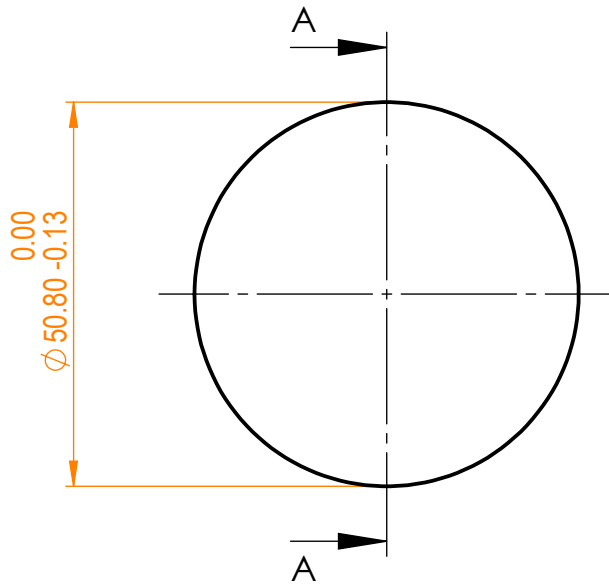


NOTES:

1. Material: UVFS;
2. G - Fine ground surface;
3. All dimensions are in mm;
4. Wedge: <3 min;
5. Protective chamfers: 0.3 mm x 45°;
6. Laser Induced Damage Threshold:
 - > 0.25 J/cm² at @800nm, 50Hz, 94fsec pulses,
 - > 1.8 J/cm² at @1064nm, 50Hz, 11nsec pulses;



Isometric view 1:4



Specifications are subject to change without notice
Dimensions are for reference only

| Parameters | | EKSMA OPTICS | | UVFS pl/cx mirror, D=50.8 mm, T=10 mm | | | | | | |
|---------------------|---|-------------------|--|---------------------------------------|----------|------|-------------|---------------|-------|-----|
| | S1 | S2 | info@eksmaoptics.com www.eksmaoptics.com | | Name | Date | Part number | Rev. | Scale | |
| Shape | Convex | Plano | Proprietary The information in this drawing is property of EKSMA Optics. Any reproduction in part or as a whole without the written permission of EKSMA Optics is prohibited. | | Approved | A.K. | 2020.11.16 | 095-3225R+400 | A | 1:1 |
| Radius of curvature | 400 | Infinity | | | Drawn | V.S. | 2020.11.16 | | | |
| Surface flatness | λ/10 @633nm | λ @633nm per inch | | | | | | | | |
| Surface quality | 40-20 s/d | 80-50 s/d | | | | | | | | |
| Clear aperture | >90% | >90% | | | | | | | | |
| Coating | Protected silver Ravg>96%@400nm - IR | Uncoated | | | | | | | | |