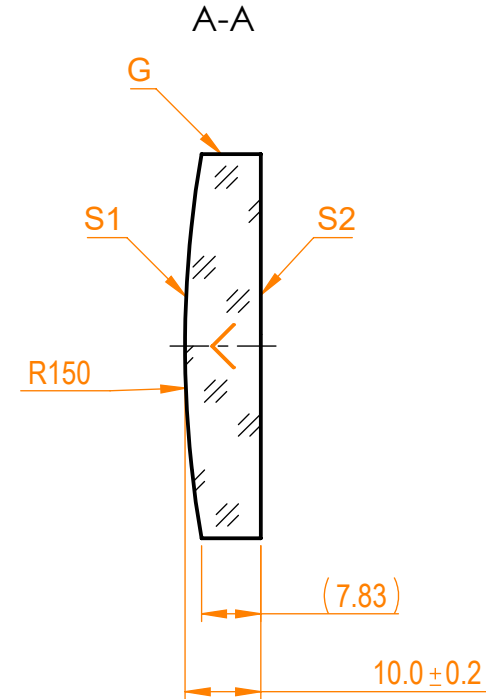
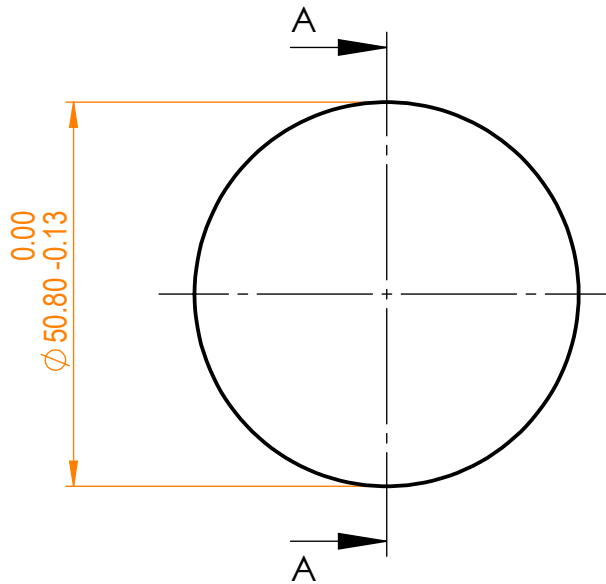


NOTES:


1. Material: UVFS;
2. G - Fine ground surface;
3. All dimensions are in mm;
4. Wedge: <3 min;
5. Protective chamfers: 0.3 mm x 45°;
6. Laser Induced Damage Threshold:
  - > 0.25 J/cm<sup>2</sup> at @800nm, 50Hz, 94fsec pulses,
  - > 1.8 J/cm<sup>2</sup> at @1064nm, 50Hz, 11nsec pulses;



Isometric view 1:4



Specifications are subject to change without notice  
 Dimensions are for reference only

| Parameters          |   |                   |  | <br>info@eksmaoptics.com<br>www.eksmaoptics.com                              |          | UVFS pl/cx mirror, D=50.8 mm, T=10 mm |            |               |      |       |
|---------------------|---|-------------------|--|---|----------|---------------------------------------|------------|---------------|------|-------|
|                     | S1                                      | S2                |  |   |          |                                       |            |               |      |       |
| Shape               | Convex                                  | Plano             |  |   |          |                                       |            |               |      |       |
| Radius of curvature | 150                                     | Infinity          |  |   |          |                                       |            |               |      |       |
| Surface flatness    | λ/10 @633nm                             | λ @633nm per inch |  |   |          |                                       |            |               |      |       |
| Surface quality     | 40-20 s/d                               | 80-50 s/d         |  |   |          |                                       |            |               |      |       |
| Clear aperture      | >90%                                    | >90%              |  |   |          |                                       |            |               |      |       |
| Coating             | Protected silver<br>Ravg>96%@400nm - IR | Uncoated          |  |   |          |                                       |            |               |      |       |
|                     |   |                   |  | Proprietary   |          | Name                                  | Date       | Part number   | Rev. | Scale |
|                     |   |                   |  | The information in this drawing is property of EKSMA Optics. Any reproduction in part or as a whole without the written permission of EKSMA Optics is prohibited. | Approved | A.K.                                  | 2020.11.16 | 095-3225R+150 | A    | 1:1   |
|                     |   |                   |  |   | Drawn    | V.S.                                  | 2020.11.16 |               |      |       |