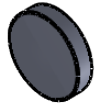
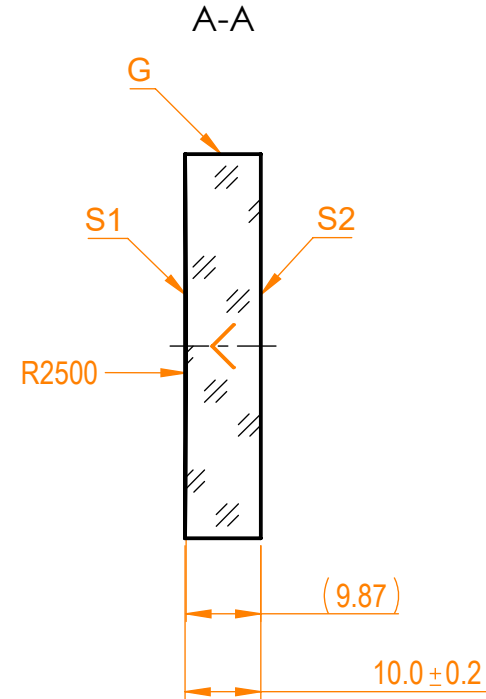
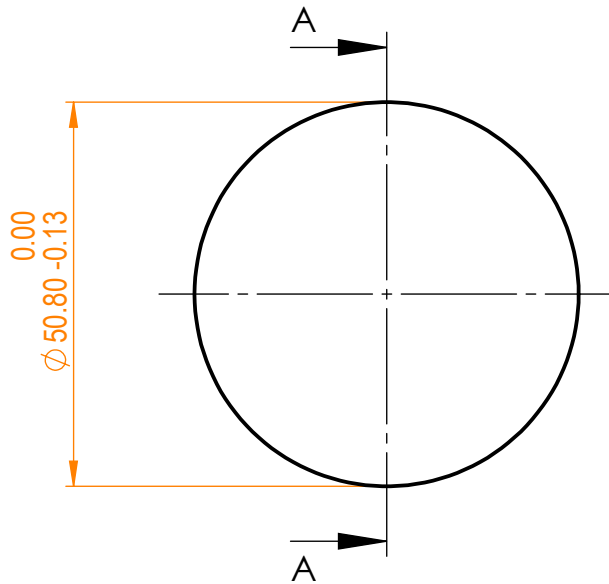


NOTES:


1. Material: UVFS;
2. G - Fine ground surface;
3. All dimensions are in mm;
4. Wedge: <3 min;
5. Protective chamfers: 0.3 mm x 45°;
6. Laser Induced Damage Threshold:
 - > 0.25 J/cm² at @800nm, 50Hz, 94fsec pulses,
 - > 1.8 J/cm² at @1064nm, 50Hz, 11nsec pulses;



Isometric view 1:4



Specifications are subject to change without notice
 Dimensions are for reference only

Parameters				UVFS pl/cv mirror, D=50.8 mm, T=10 mm																																															
	S1								S2																																										
Shape	Concave	Plano	<table border="1" style="width: 100%; border-collapse: collapse;"> <tr> <td style="width: 15%; text-align: center;">Proprietary</td> <td style="width: 15%;"></td> <td style="width: 10%; text-align: center;">Name</td> <td style="width: 10%; text-align: center;">Date</td> <td style="width: 15%; text-align: center;">Part number</td> <td style="width: 10%; text-align: center;">Rev.</td> <td style="width: 10%; text-align: center;">Scale</td> </tr> <tr> <td style="text-align: center;">Radius of curvature</td> <td style="text-align: center;">2500</td> <td style="text-align: center;">Infinity</td> <td style="text-align: center;">A.K.</td> <td style="text-align: center;">2020.11.16</td> <td rowspan="2" style="text-align: center;">095-3125R-2500</td> <td rowspan="2" style="text-align: center;">A</td> <td rowspan="2" style="text-align: center;">1:1</td> </tr> <tr> <td style="text-align: center;">Surface flatness</td> <td style="text-align: center;">$\lambda/10$ @633nm</td> <td style="text-align: center;">λ @633nm per inch</td> <td style="text-align: center;">Approved</td> <td style="text-align: center;">2020.11.16</td> </tr> <tr> <td style="text-align: center;">Surface quality</td> <td style="text-align: center;">40-20 s/d</td> <td style="text-align: center;">80-50 s/d</td> <td style="text-align: center;">The information in this drawing is property of EKSMA Optics. Any reproduction in part or as a whole without the written permission of EKSMA Optics is prohibited.</td> <td style="text-align: center;">Drawn</td> <td style="text-align: center;">V.S.</td> <td style="text-align: center;">2020.11.16</td> <td></td> </tr> <tr> <td style="text-align: center;">Clear aperture</td> <td style="text-align: center;">>90%</td> <td style="text-align: center;">>90%</td> <td></td> <td></td> <td></td> <td></td> <td></td> </tr> <tr> <td style="text-align: center;">Coating</td> <td style="text-align: center;">Protected silver Ravg>96%@400nm - IR</td> <td style="text-align: center;">Uncoated</td> <td></td> <td></td> <td></td> <td></td> <td></td> </tr> </table>					Proprietary		Name	Date	Part number	Rev.	Scale	Radius of curvature	2500	Infinity	A.K.	2020.11.16	095-3125R-2500	A	1:1	Surface flatness	$\lambda/10$ @633nm	λ @633nm per inch	Approved	2020.11.16	Surface quality	40-20 s/d	80-50 s/d	The information in this drawing is property of EKSMA Optics. Any reproduction in part or as a whole without the written permission of EKSMA Optics is prohibited.	Drawn	V.S.	2020.11.16		Clear aperture	>90%	>90%						Coating	Protected silver Ravg>96%@400nm - IR	Uncoated					
Proprietary		Name						Date	Part number	Rev.	Scale																																								
Radius of curvature	2500	Infinity						A.K.	2020.11.16	095-3125R-2500	A	1:1																																							
Surface flatness	$\lambda/10$ @633nm	λ @633nm per inch						Approved	2020.11.16																																										
Surface quality	40-20 s/d	80-50 s/d						The information in this drawing is property of EKSMA Optics. Any reproduction in part or as a whole without the written permission of EKSMA Optics is prohibited.	Drawn	V.S.	2020.11.16																																								
Clear aperture	>90%	>90%																																																	
Coating	Protected silver Ravg>96%@400nm - IR	Uncoated																																																	
Radius of curvature	2500	Infinity																																																	
Surface flatness	$\lambda/10$ @633nm	λ @633nm per inch																																																	
Surface quality	40-20 s/d	80-50 s/d																																																	
Clear aperture	>90%	>90%																																																	
Coating	Protected silver Ravg>96%@400nm - IR	Uncoated																																																	