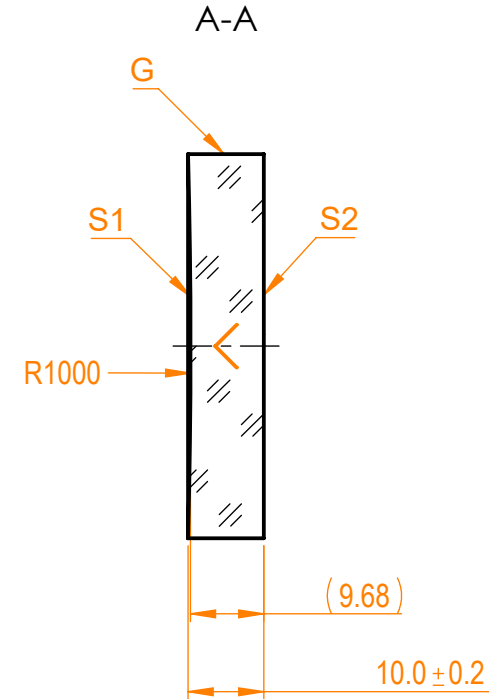
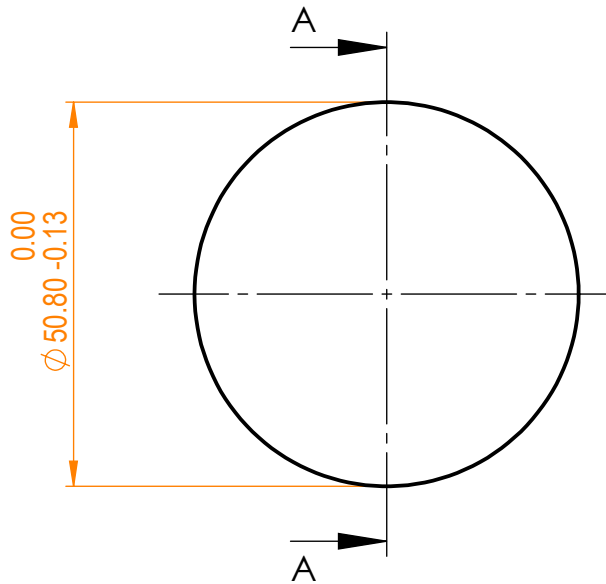


NOTES:

1. Material: UVFS;
2. G - Fine ground surface;
3. All dimensions are in mm;
4. Wedge: <3 min;
5. Protective chamfers: 0.3 mm x 45°;
6. Group delay dispersion: <math><|5fs^2|</math>;
7. Laser Induced Damage Threshold: > 0.25 J/cm² at @800nm, 100Hz, 100fsec pulses;



Isometric view 1:4



Specifications are subject to change without notice
Dimensions are for reference only

| Parameters | | |
|---------------------|---|---------------------------|
| | S1 | S2 |
| Shape | Concave | Plano |
| Radius of curvature | 1000 | Infinity |
| Surface flatness | $\lambda/10$ @633nm | λ @633nm per inch |
| Surface quality | 40-20 s/d | 80-50 s/d |
| Clear aperture | >90% | >90% |
| Coating | Enhanced silver R>98.5% @600-1100nm, R>99% @700-900nm | Uncoated |



UVFS pl/cv mirror, D=50.8 mm, T=10 mm

| Proprietary | Approved | Name | Date | Part number | Rev. | Scale |
|---|----------|------|------------|-----------------|------|-------|
| The information in this drawing is property of EKSMA Optics. Any reproduction in part or as a whole without the written permission of EKSMA Optics is prohibited. | Drawn | A.K. | 2020.11.16 | 095-3125FR-1000 | A | 1:1 |
| | | V.S. | 2020.11.16 | | | |