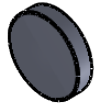
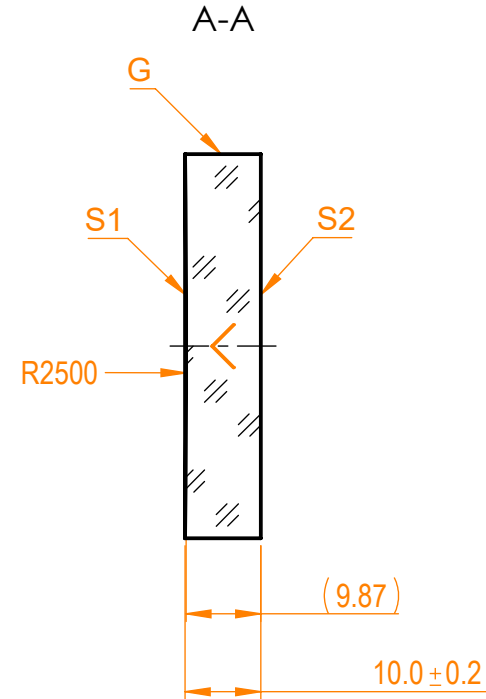
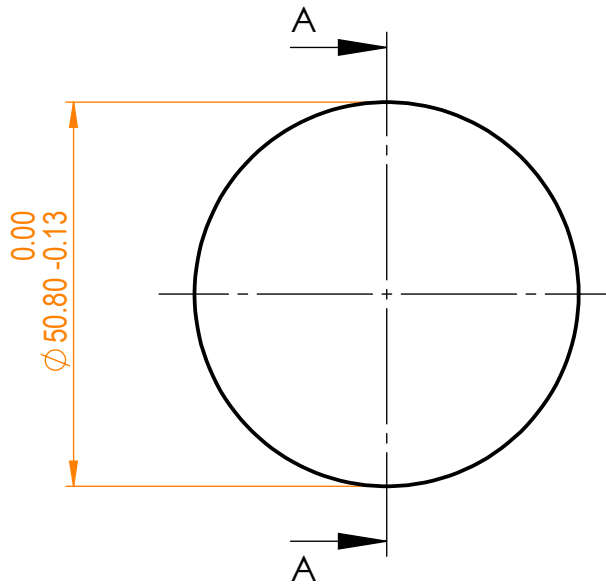


NOTES:


1. Material: UVFS;
2. G - Fine ground surface;
3. All dimensions are in mm;
4. Wedge: <3 min;
5. Protective chamfers: 0.3 mm x 45°;
6. Laser Induced Damage Threshold:
 - > 0.1 J/cm² at @355nm, 50Hz, 5.7nsec pulses,
 - > 0.25 J/cm² at @1064nm, 50Hz, 11nsec pulses;



Isometric view 1:4



Specifications are subject to change without notice
Dimensions are for reference only

Parameters				UVFS pl/cv mirror, D=50.8 mm, T=10 mm					
	S1								S2
Shape	Concave	Plano	info@eksmaoptics.com www.eksmaoptics.com	Proprietary	Name	Date	Part number	Rev.	Scale
Radius of curvature	2500	Infinity			Approved	A.K.	2020.11.16	095-3115R-2500	A
Surface flatness	λ/10 @633nm	λ @633nm per inch		The information in this drawing is property of EKSMA Optics. Any reproduction in part or as a whole without the written permission of EKSMA Optics is prohibited.		Drawn	V.S.		
Surface quality	40-20 s/d	80-50 s/d							
Clear aperture	>90%	>90%							
Coating	Protected aluminium Ravg>86%@300nm - IR	Uncoated							