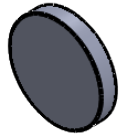
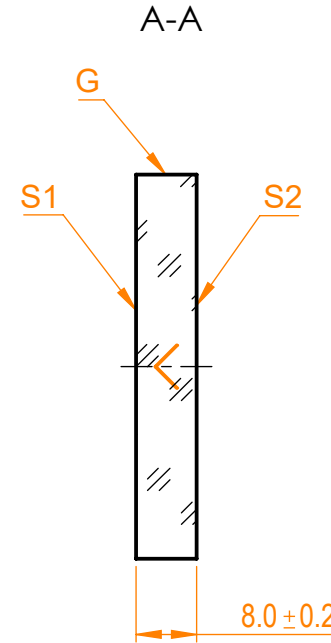
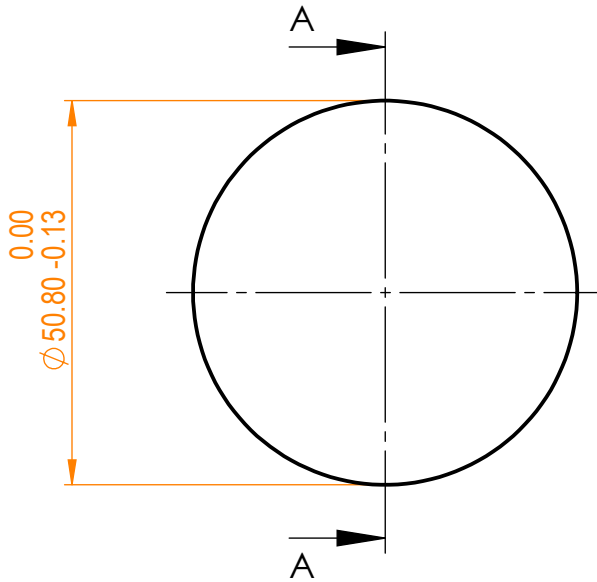


**NOTES:**


1. Material: UVFS;
2. G - Fine ground surface;
3. All dimensions are in mm;
4. Wedge: <3 min;
5. Protective chamfers: 0.3 mm x 45°;
6. Laser Induced Damage Threshold:
  - > 0.1 J/cm<sup>2</sup> at @355nm, 50Hz, 5.7nsec pulses,
  - > 0.25 J/cm<sup>2</sup> at @1064nm, 50Hz, 11nsec pulses;



Isometric view 1:3



Specifications are subject to change without notice  
 Dimensions are for reference only

		Parameters		 info@eksmaoptics.com www.eksmaoptics.com	UVFS pl mirror, D=50.8 mm, T=8 mm					
		S1	S2		Proprietary	Name	Date	Part number	Rev.	Scale
Shape		Plano	Plano							
Radius of curvature		Infinity	Infinity	Drawn	V.S.	2020.12.03				
Surface flatness		$\lambda/10$ @633nm	$\lambda$ @633nm per inch							
Surface quality		40-20 s/d	80-50 s/d							
Clear aperture		>90%	>90%							
Coating		Protected aluminium R <sub>avg</sub> >86%@300nm - IR	Uncoated							