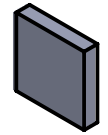
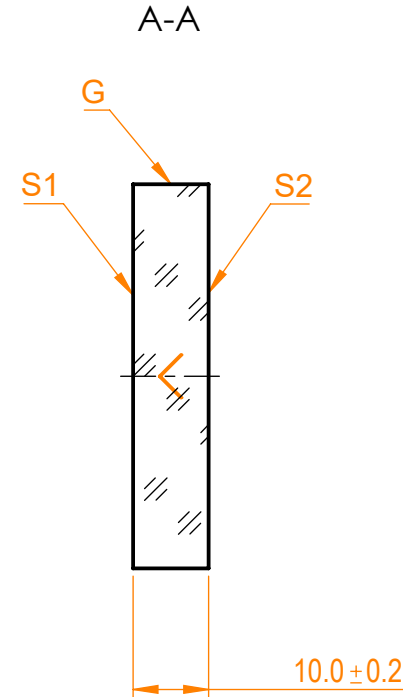
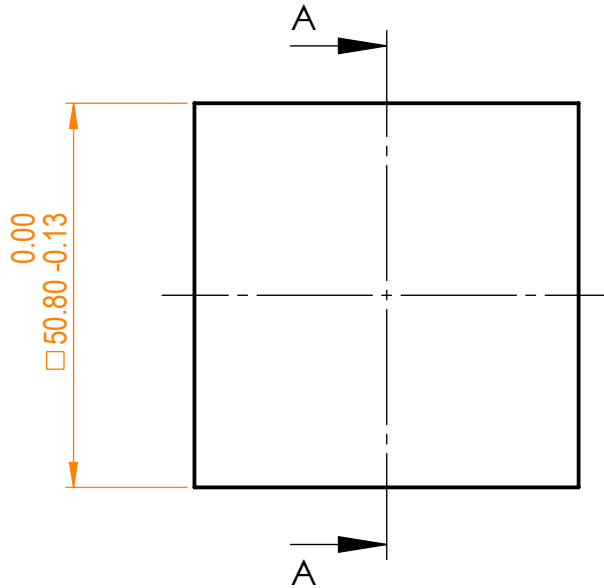


NOTES:


1. Material: N-BK7;
2. G - Fine ground surface;
3. All dimensions are in mm;
4. Wedge: <3 min;
5. Protective chamfers: 0.3 mm x 45°;
6. Laser Induced Damage Threshold:
 - > 0.25 J/cm² at @800nm, 50Hz, 94fsec pulses,
 - > 1.8 J/cm² at @1064nm, 50Hz, 11nsec pulses;



Isometric view 1:4



Specifications are subject to change without notice
 Dimensions are for reference only

| | | Parameters | |  info@eksmaoptics.com www.eksmaoptics.com | | N-BK7 pl mirror, (50.8x50.8) mm, T=10 mm | | | | |
|---------------------|--|--|---------------------------|--|----------|--|------------|-------------|------|-------|
| | | S1 | S2 | | | Name | Date | Part number | Rev. | Scale |
| Shape | | Plano | Plano | Proprietary | Approved | A.K. | 2020.09.14 | 095-0325 | A | 1:1 |
| Radius of curvature | | Infinity | Infinity | | | | | | | |
| Surface flatness | | $\lambda/10$ @633nm | λ @633nm per inch | | | | | | | |
| Surface quality | | 40-20 s/d | 80-50 s/d | | | | | | | |
| Clear aperture | | >90% | >90% | | | | | | | |
| Coating | | Protected silver R _{avg} >96%@400nm - IR | Uncoated | | | | | | | |