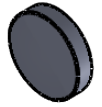
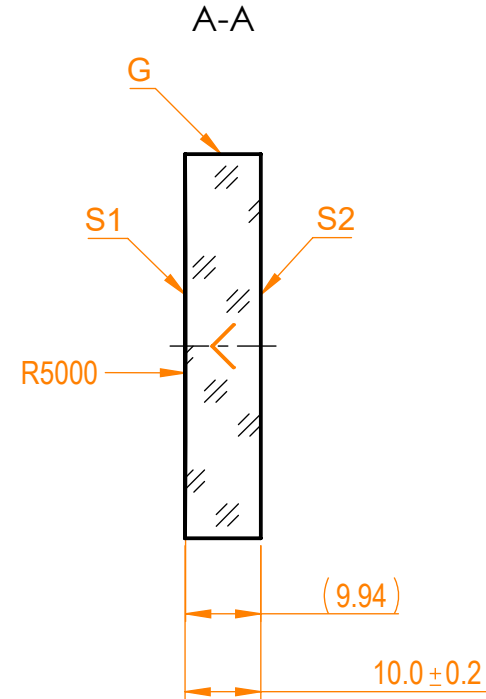
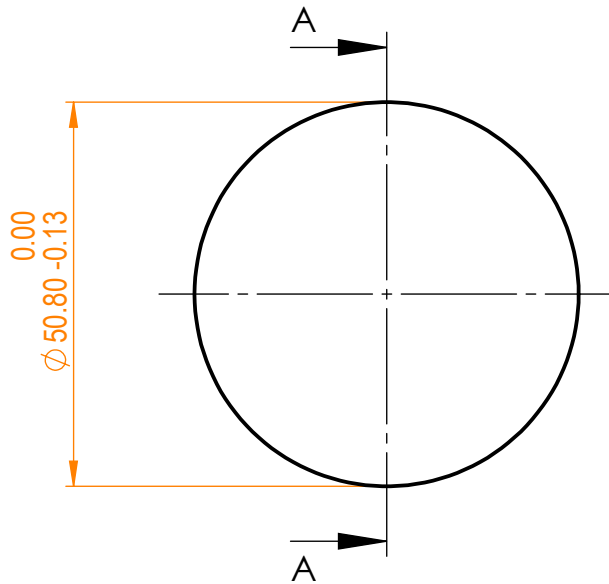


**NOTES:**


1. Material: N-BK7;
2. G - Fine ground surface;
3. All dimensions are in mm;
4. Wedge: <3 min;
5. Protective chamfers: 0.3 mm x 45°;
6. Laser Induced Damage Threshold:
  - > 0.25 J/cm<sup>2</sup> at @800nm, 50Hz, 94fsec pulses,
  - > 1.8 J/cm<sup>2</sup> at @1064nm, 50Hz, 11nsec pulses;



Isometric view 1:4



Specifications are subject to change without notice  
 Dimensions are for reference only

Parameters				N-BK7 pl/cv mirror, D=50.8 mm, T=10 mm																					
	S1								S2																
Shape	Concave	Plano	<table border="1" style="width: 100%; border-collapse: collapse;"> <tr> <td style="width: 15%;">Proprietary</td> <td style="width: 15%;"></td> <td style="width: 10%;">Name</td> <td style="width: 10%;">Date</td> <td style="width: 15%;">Part number</td> <td style="width: 10%;">Rev.</td> <td style="width: 10%;">Scale</td> </tr> <tr> <td style="font-size: small;">The information in this drawing is property of EKSMA Optics. Any reproduction in part or as a whole without the written permission of EKSMA Optics is prohibited.</td> <td style="text-align: center;">Approved</td> <td style="text-align: center;">A.K.</td> <td style="text-align: center;">2020.11.16</td> <td rowspan="2" style="text-align: center;">095-0125R-5000</td> <td rowspan="2" style="text-align: center;">A</td> <td rowspan="2" style="text-align: center;">1:1</td> </tr> <tr> <td></td> <td style="text-align: center;">Drawn</td> <td style="text-align: center;">V.S.</td> <td style="text-align: center;">2020.11.16</td> </tr> </table>					Proprietary		Name	Date	Part number	Rev.	Scale	The information in this drawing is property of EKSMA Optics. Any reproduction in part or as a whole without the written permission of EKSMA Optics is prohibited.	Approved	A.K.	2020.11.16	095-0125R-5000	A	1:1		Drawn	V.S.	2020.11.16
Proprietary		Name						Date	Part number	Rev.	Scale														
The information in this drawing is property of EKSMA Optics. Any reproduction in part or as a whole without the written permission of EKSMA Optics is prohibited.	Approved	A.K.						2020.11.16	095-0125R-5000	A	1:1														
	Drawn	V.S.						2020.11.16																	
Radius of curvature	5000	Infinity																							
Surface flatness	$\lambda/10$ @633nm	$\lambda$ @633nm per inch																							
Surface quality	40-20 s/d	80-50 s/d																							
Clear aperture	>90%	>90%																							
Coating	Protected silver Ravg>96%@400nm - IR	Uncoated																							