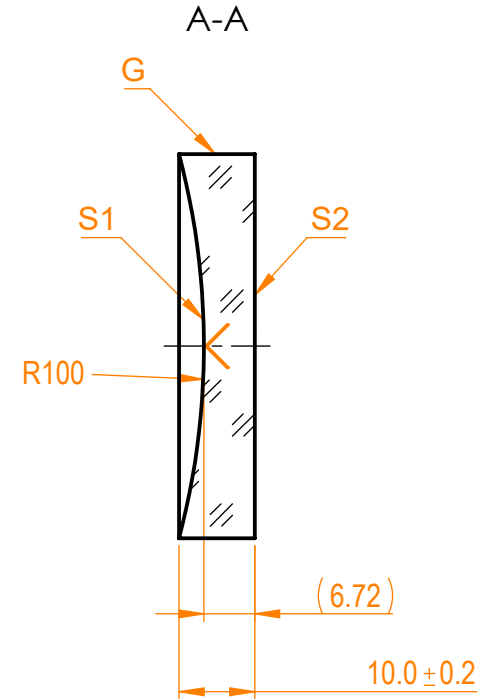
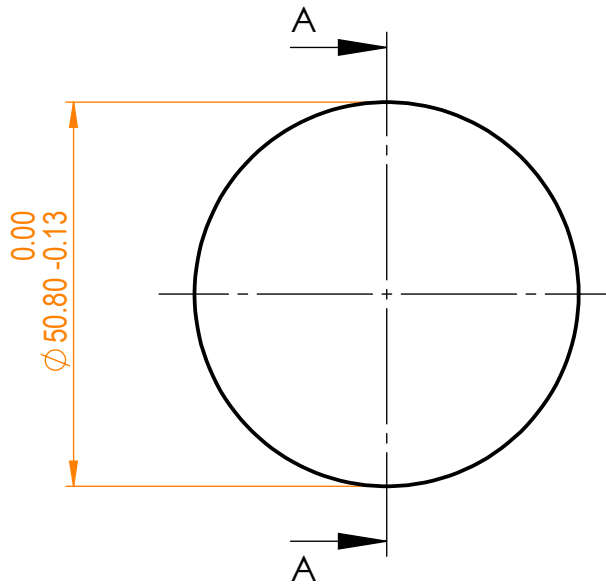


NOTES:


1. Material: N-BK7;
2. G - Fine ground surface;
3. All dimensions are in mm;
4. Wedge: <3 min;
5. Protective chamfers: 0.3 mm x 45°;
6. Laser Induced Damage Threshold:
 - > 0.25 J/cm² at @800nm, 50Hz, 94fsec pulses,
 - > 1.8 J/cm² at @1064nm, 50Hz, 11nsec pulses;



Isometric view 1:4



Specifications are subject to change without notice
 Dimensions are for reference only

Parameters		S1		S2				N-BK7 pl/cv mirror, D=50.8 mm, T=10 mm			
Shape	Concave	Plano	Radius of curvature	100	Infinity						
Surface flatness	$\lambda/10$ @633nm	λ @633nm per inch	Surface quality	40-20 s/d	80-50 s/d	Clear aperture	>90%	>90%	Coating	Protected silver Ravg>96%@400nm - IR	Uncoated
1		2		3		4		5		6	

Proprietary	Name	Date	Part number	Rev.	Scale
The information in this drawing is property of EKSMA Optics. Any reproduction in part or as a whole without the written permission of EKSMA Optics is prohibited.	Approved	A.K.	2020.11.16	095-0125R-100	A
	Drawn	V.S.	2020.11.16		