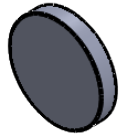
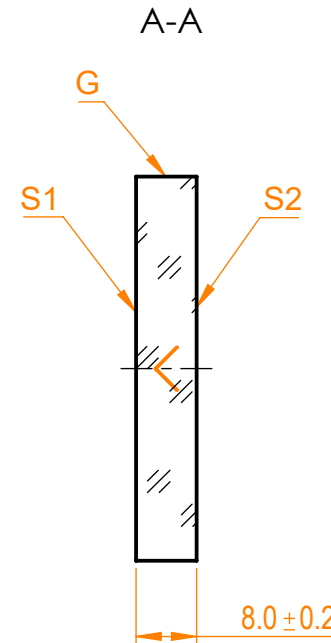
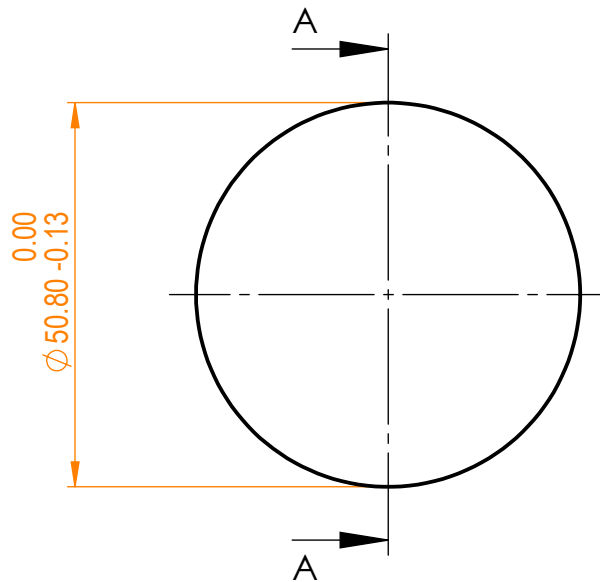


**NOTES:**


1. Material: N-BK7;
2. G - Fine ground surface;
3. All dimensions are in mm;
4. Wedge: <3 min;
5. Protective chamfers: 0.3 mm x 45°;
6. Laser Induced Damage Threshold:
  - > 0.25 J/cm<sup>2</sup> at @800nm, 50Hz, 94fsec pulses,
  - > 1.8 J/cm<sup>2</sup> at @1064nm, 50Hz, 11nsec pulses;



Isometric view 1:3



Specifications are subject to change without notice  
 Dimensions are for reference only

| Parameters          |  |                           |  | <br>info@eksmaoptics.com<br>www.eksmaoptics.com                              |          | N-BK7 pl mirror, D=50.8 mm, T=8 mm |            |             |      |       |
|---------------------|--|---------------------------|--|---|----------|------------------------------------|------------|-------------|------|-------|
|                     | S1   | S2                        |  |   |          |                                    |            |             |      |       |
| Shape               | Plano  | Plano                     |  |   |          |                                    |            |             |      |       |
| Radius of curvature | Infinity   | Infinity                  |  |   |          |                                    |            |             |      |       |
| Surface flatness    | $\lambda/10$ @633nm                                  | $\lambda$ @633nm per inch |  |   |          |                                    |            |             |      |       |
| Surface quality     | 40-20 s/d  | 80-50 s/d                 |  |   |          |                                    |            |             |      |       |
| Clear aperture      | >90%   | >90%                      |  |   |          |                                    |            |             |      |       |
| Coating             | Protected silver<br>R <sub>avg</sub> >96%@400nm - IR | Uncoated                  |  |   |          |                                    |            |             |      |       |
|                     |  |                           |  | Proprietary   |          | Name                               | Date       | Part number | Rev. | Scale |
|                     |  |                           |  | The information in this drawing is property of EKSMA Optics. Any reproduction in part or as a whole without the written permission of EKSMA Optics is prohibited. | Approved | A.K.                               | 2020.12.03 | 095-0025    | A    | 1:1   |
|                     |  |                           |  |   | Drawn    | V.S.                               | 2020.12.03 |             |      |       |