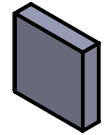
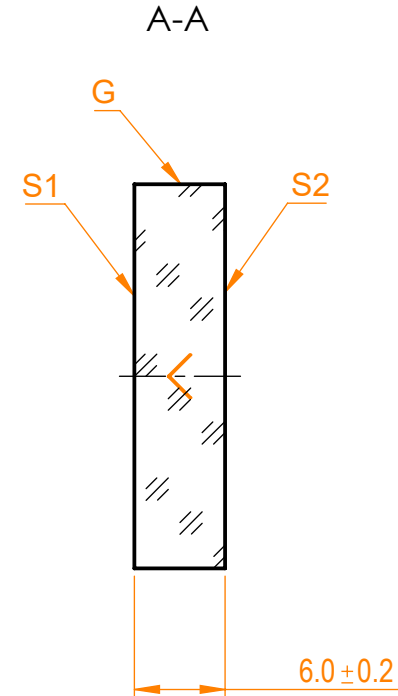
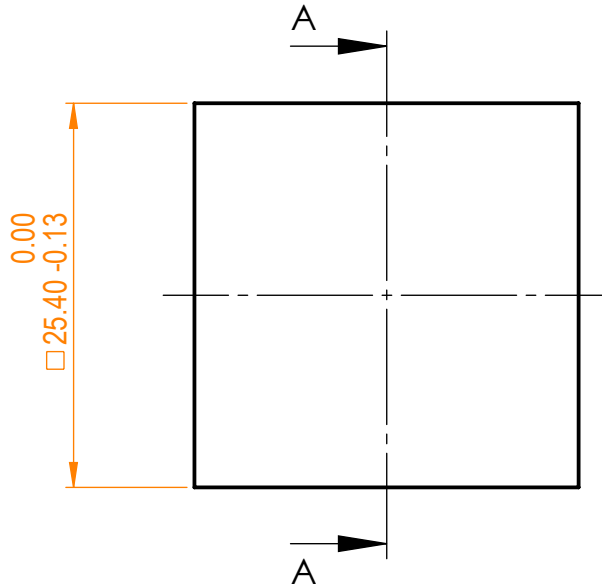


**NOTES:**


1. Material: UVFS;
2. G - Fine ground surface;
3. All dimensions are in mm;
4. Wedge: <3 min;
5. Protective chamfers: 0.3 mm x 45°;
6. Laser Induced Damage Threshold:
  - > 0.1 J/cm<sup>2</sup> at @355nm, 50Hz, 5.7nsec pulses,
  - > 0.25 J/cm<sup>2</sup> at @1064nm, 50Hz, 11nsec pulses;



Isometric view 1:2



Specifications are subject to change without notice  
 Dimensions are for reference only

Parameters				 info@eksmaoptics.com www.eksmaoptics.com		UVFS pl mirror, (25.4x25.4) mm, T=6 mm				
	S1	S2								
Shape	Plano	Plano		Proprietary	Name	Date	Part number	Rev.	Scale	
Radius of curvature	Infinity	Infinity			A.K.	2020.09.14	093-3315	A	2:1	
Surface flatness	λ/10 @633nm	λ @633nm per inch		The information in this drawing is property of EKSMA Optics. Any reproduction in part or as a whole without the written permission of EKSMA Optics is prohibited.	Drawn	V.S.				2020.09.14
Surface quality	40-20 s/d	80-50 s/d			Approved	A.K.	2020.09.14			
Clear aperture	>90%	>90%								
Coating	Protected aluminium Ravg>86%@300nm - IR	Uncoated								