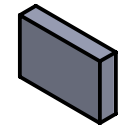
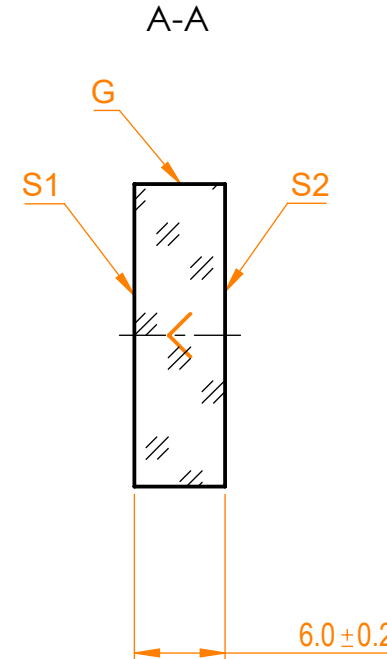
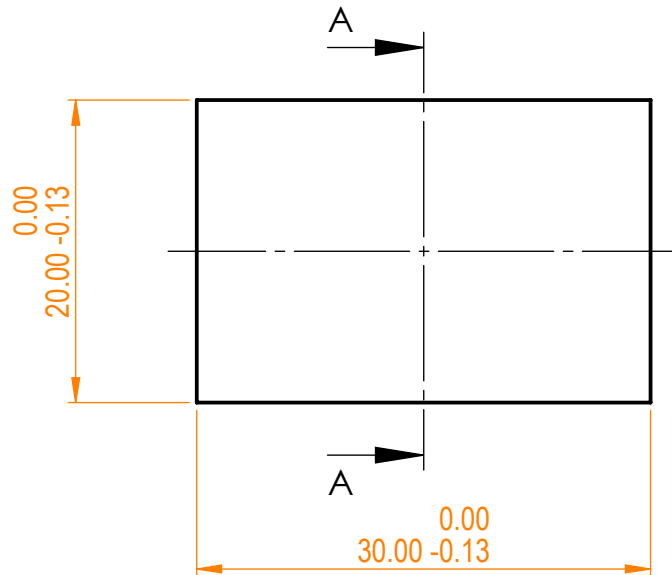


NOTES:


1. Material: UVFS;
2. G - Fine ground surface;
3. All dimensions are in mm;
4. Wedge: <3 min;
5. Protective chamfers: 0.3 mm x 45°;
6. Group delay dispersion: $|5fs^2|$;
7. Laser Induced Damage Threshold: > 0.25 J/cm² at @800nm, 100Hz, 100fsec pulses;



Isometric view 1:1



Specifications are subject to change without notice
Dimensions are for reference only

Parameters		S1	S2	 UVFS pl mirror, (20x30) mm, T=6 mm																		
Shape		Plano	Plano																			
Radius of curvature		Infinity	Infinity																			
Surface flatness		$\lambda/10$ @633nm	λ @633nm																			
Surface quality		40-20 s/d	80-50 s/d																			
Clear aperture		>90%	>90%																			
Coating		Enhanced silver R>98.5% @600-1100nm, R>99% @700-900nm	Uncoated	<table border="1"> <tr> <td>Proprietary</td> <td></td> <td>Name</td> <td>Date</td> <td>Part number</td> <td>Rev.</td> <td>Scale</td> </tr> <tr> <td>The information in this drawing is property of EKSMA Optics. Any reproduction in part or as a whole without the written permission of EKSMA Optics is prohibited.</td> <td>Approved</td> <td>A.K.</td> <td>2020.09.14</td> <td rowspan="2">092-3325F</td> <td rowspan="2">A</td> <td rowspan="2">2:1</td> </tr> <tr> <td></td> <td>Drawn</td> <td>V.S.</td> <td>2020.09.14</td> </tr> </table>	Proprietary		Name	Date	Part number	Rev.	Scale	The information in this drawing is property of EKSMA Optics. Any reproduction in part or as a whole without the written permission of EKSMA Optics is prohibited.	Approved	A.K.	2020.09.14	092-3325F	A	2:1		Drawn	V.S.	2020.09.14
Proprietary		Name	Date	Part number	Rev.	Scale																
The information in this drawing is property of EKSMA Optics. Any reproduction in part or as a whole without the written permission of EKSMA Optics is prohibited.	Approved	A.K.	2020.09.14	092-3325F	A	2:1																
	Drawn	V.S.	2020.09.14																			