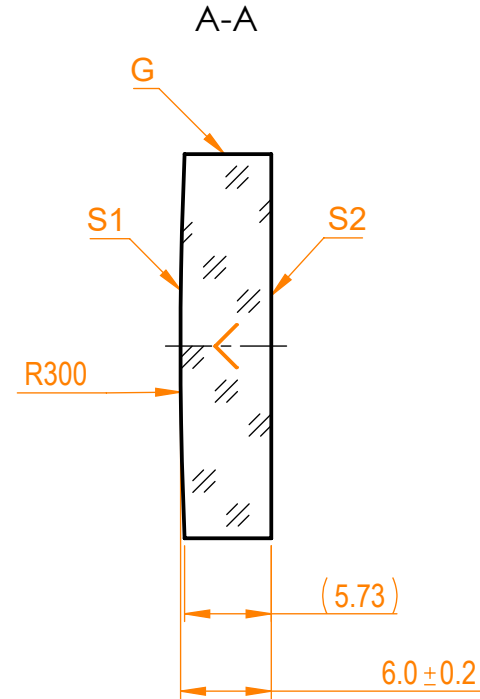
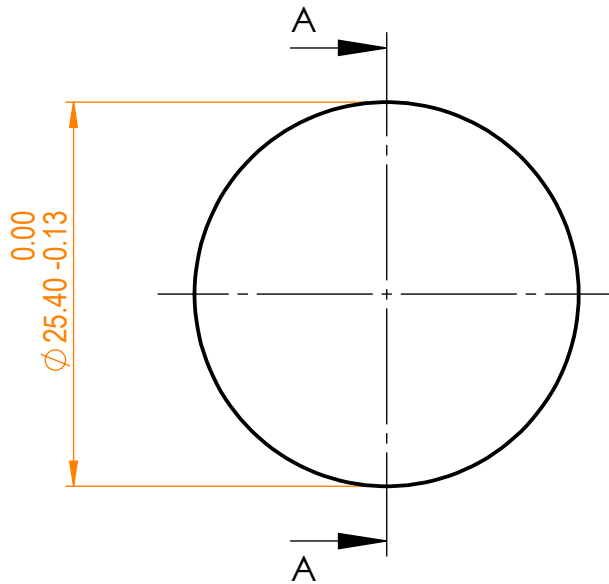


**NOTES:**


1. Material: UVFS;
2. G - Fine ground surface;
3. All dimensions are in mm;
4. Wedge: <3 min;
5. Protective chamfers: 0.3 mm x 45°;
6. Laser Induced Damage Threshold:
  - > 0.25 J/cm<sup>2</sup> at @800nm, 50Hz, 94fsec pulses,
  - > 1.8 J/cm<sup>2</sup> at @1064nm, 50Hz, 11nsec pulses;



Isometric view 1:2



Specifications are subject to change without notice  
Dimensions are for reference only

|                     |  | Parameters                              |           | <br>info@eksmaoptics.com<br>www.eksmaoptics.com |          | UVFS pl/cx mirror, D=25.4 mm, T=6 mm |            |               |      |       |
|---------------------|--|---|-----------|--|----------|--------------------------------------|------------|---------------|------|-------|
|                     |  | S1                                      | S2        |  |          | Name                                 | Date       | Part number   | Rev. | Scale |
| Shape               |  | Convex                                  | Plano     | Proprietary  | Approved | A.K.                                 | 2020.11.16 | 092-3225R+300 | A    | 2:1   |
| Radius of curvature |  | 300                                     | Infinity  |  |          |                                      |            |               |      |       |
| Surface flatness    |  | λ/10 @633nm                             | λ @633nm  |  |          |                                      |            |               |      |       |
| Surface quality     |  | 40-20 s/d                               | 80-50 s/d |  |          |                                      |            |               |      |       |
| Clear aperture      |  | >90%                                    | >90%      |  |          |                                      |            |               |      |       |
| Coating             |  | Protected silver<br>Ravg>96%@400nm - IR | Uncoated  |  |          |                                      |            |               |      |       |