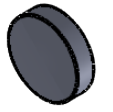
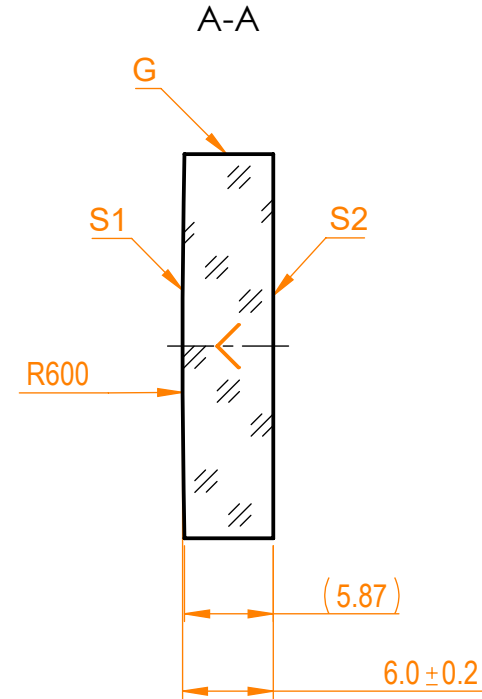


**NOTES:**


1. Material: UVFS;
2. G - Fine ground surface;
3. All dimensions are in mm;
4. Wedge: <3 min;
5. Protective chamfers: 0.3 mm x 45°;
6. Group delay dispersion: <|5fs<sup>2</sup>|;
7. Laser Induced Damage Threshold: > 0.25 J/cm<sup>2</sup> at @800nm, 100Hz, 100fsec pulses;



Isometric view 1:2



Specifications are subject to change without notice  
Dimensions are for reference only

| Parameters          |   |           |  | <br>info@eksmaoptics.com<br>www.eksmaoptics.com                              |          | UVFS pl/cx mirror, D=25.4 mm, T=6 mm |            |                |      |       |
|---------------------|---|-----------|--|---|----------|--------------------------------------|------------|----------------|------|-------|
|                     | S1  | S2        |  |   |          |                                      |            |                |      |       |
| Shape               | Convex  | Plano     |  |   |          |                                      |            |                |      |       |
| Radius of curvature | 600   | Infinity  |  |   |          |                                      |            |                |      |       |
| Surface flatness    | λ/10 @633nm   | λ @633nm  |  |   |          |                                      |            |                |      |       |
| Surface quality     | 40-20 s/d   | 80-50 s/d |  |   |          |                                      |            |                |      |       |
| Clear aperture      | >90%  | >90%      |  |   |          |                                      |            |                |      |       |
| Coating             | Enhanced silver<br>R>98.5% @600-1100nm,<br>R>99% @700-900nm | Uncoated  |  |   |          |                                      |            |                |      |       |
|                     |   |           |  | Proprietary   |          | Name                                 | Date       | Part number    | Rev. | Scale |
|                     |   |           |  | The information in this drawing is property of EKSMA Optics. Any reproduction in part or as a whole without the written permission of EKSMA Optics is prohibited. | Approved | A.K.                                 | 2020.11.16 | 092-3225FR+600 | A    | 2:1   |
|                     |   |           |  |   | Drawn    | V.S.                                 | 2020.11.16 |                |      |       |