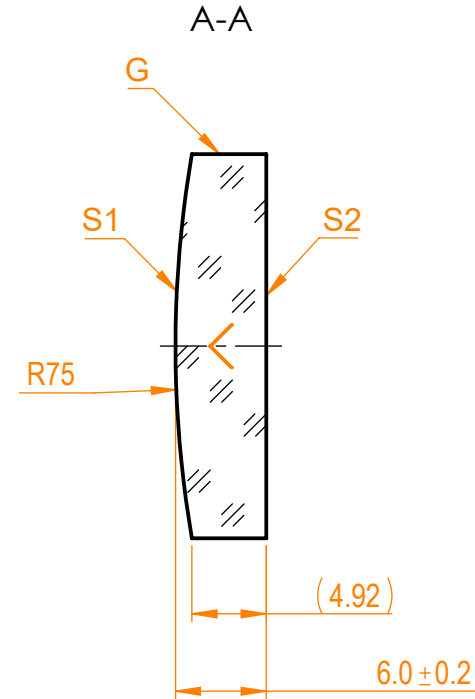
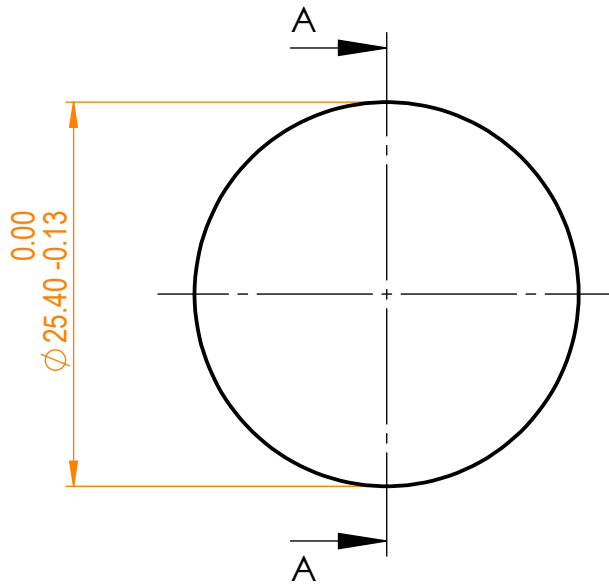


**NOTES:**


1. Material: UVFS;
2. G - Fine ground surface;
3. All dimensions are in mm;
4. Wedge: <3 min;
5. Protective chamfers: 0.3 mm x 45°;
6. Laser Induced Damage Threshold:
  - > 0.1 J/cm<sup>2</sup> at @355nm, 50Hz, 5.7nsec pulses,
  - > 0.25 J/cm<sup>2</sup> at @1064nm, 50Hz, 11nsec pulses;



Isometric view 1:2



Specifications are subject to change without notice  
Dimensions are for reference only

| Parameters          |  |                  |  |   |  | UVFS pl/cx mirror, D=25.4 mm, T=6 mm |                      |                                  |                             |           |              |
|---------------------|--|------------------|--|--|--|--------------------------------------|----------------------|----------------------------------|-----------------------------|-----------|--------------|
|                     | S1   | S2               |  |  |  |                                      |                      |                                  |                             |           |              |
| Shape               | Convex                                     | Plano            |  |  |  |                                      |                      |                                  |                             |           |              |
| Radius of curvature | 75   | Infinity         |  |  |  |                                      |                      |                                  |                             |           |              |
| Surface flatness    | $\lambda/10$ @633nm                        | $\lambda$ @633nm |  |  |  |                                      |                      |                                  |                             |           |              |
| Surface quality     | 40-20 s/d                                  | 80-50 s/d        |  |  |  |                                      |                      |                                  |                             |           |              |
| Clear aperture      | >90%                                       | >90%             |  |  |  |                                      |                      |                                  |                             |           |              |
| Coating             | Protected aluminium<br>Ravg>86%@300nm - IR | Uncoated         |  |  |  |                                      |                      |                                  |                             |           |              |
|                     |  |                  |  | Proprietary<br>The information in this drawing is property of EKSMA Optics. Any reproduction in part or as a whole without the written permission of EKSMA Optics is prohibited. |  | Approved<br>Drawn                    | Name<br>A.K.<br>V.S. | Date<br>2020.11.16<br>2020.11.16 | Part number<br>092-3215R+75 | Rev.<br>A | Scale<br>2:1 |