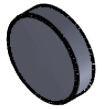
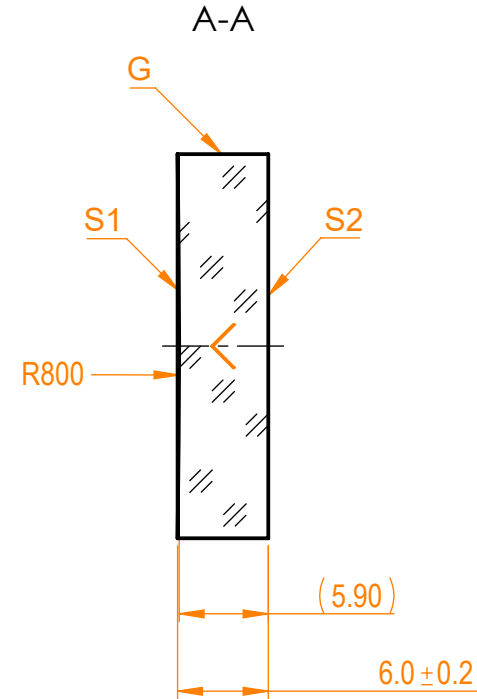


NOTES:


1. Material: UVFS;
2. G - Fine ground surface;
3. All dimensions are in mm;
4. Wedge: <3 min;
5. Protective chamfers: 0.3 mm x 45°;
6. Laser Induced Damage Threshold:
 - > 0.25 J/cm² at @800nm, 50Hz, 94fsec pulses,
 - > 1.8 J/cm² at @1064nm, 50Hz, 11nsec pulses;



Isometric view 1:2



Specifications are subject to change without notice
 Dimensions are for reference only

Parameters		S1		S2				UVFS pl/cv mirror, D=25.4 mm, T=6 mm			
Shape	Concave	Plano	Infinity	Proprietary	Approved						
Radius of curvature	800	Infinity				A.K.	2020.11.16	092-3125R-800	A	2:1	
Surface flatness	λ/10 @633nm	λ @633nm				V.S.	2020.11.16				
Surface quality	40-20 s/d	80-50 s/d									
Clear aperture	>90%	>90%									
Coating	Protected silver Ravg>96%@400nm - IR	Uncoated									

The information in this drawing is property of EKSMA Optics. Any reproduction in part or as a whole without the written permission of EKSMA Optics is prohibited.