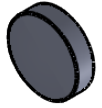
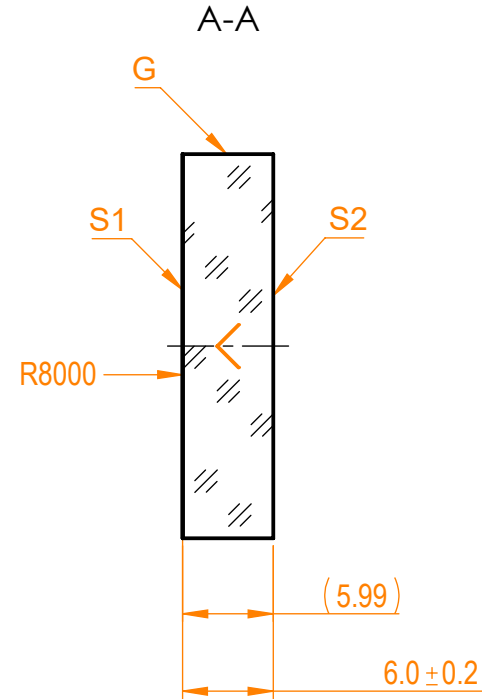
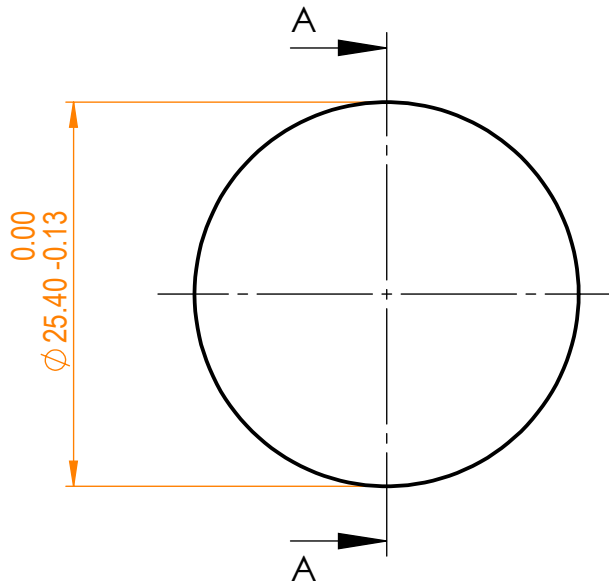


NOTES:


1. Material: UVFS;
2. G - Fine ground surface;
3. All dimensions are in mm;
4. Wedge: <3 min;
5. Protective chamfers: 0.3 mm x 45°;
6. Laser Induced Damage Threshold:
 - > 0.25 J/cm² at @800nm, 50Hz, 94fsec pulses,
 - > 1.8 J/cm² at @1064nm, 50Hz, 11nsec pulses;



Isometric view 1:2



Specifications are subject to change without notice
Dimensions are for reference only

Parameters		S1		S2		 UVFS pl/cv mirror, D=25.4 mm, T=6 mm		info@eksmaoptics.com www.eksmaoptics.com							
Shape	Concave	Plano													
Radius of curvature	8000	Infinity													
Surface flatness	λ/10 @633nm	λ @633nm													
Surface quality	40-20 s/d	80-50 s/d		Proprietary	Approved	Name	A.K.	Date	2020.11.16	Part number	092-3125R-8000	Rev.	A	Scale	2:1
Clear aperture	>90%	>90%		The information in this drawing is property of EKSMA Optics. Any reproduction in part or as a whole without the written permission of EKSMA Optics is prohibited.	Drawn	V.S.	2020.11.16								
Coating	Protected silver Ravg>96%@400nm - IR	Uncoated													