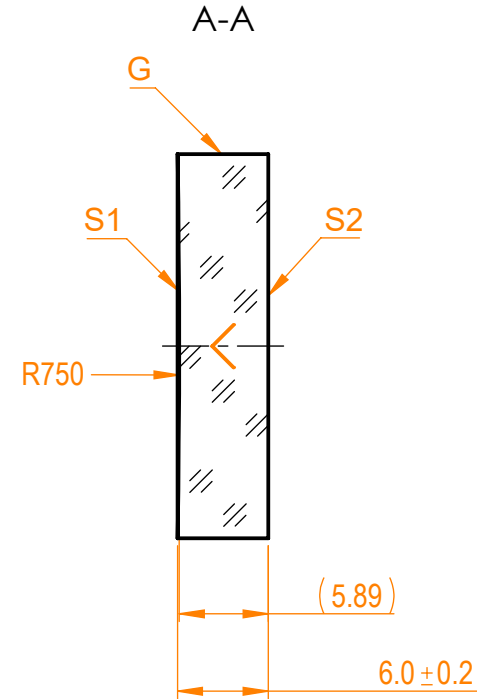
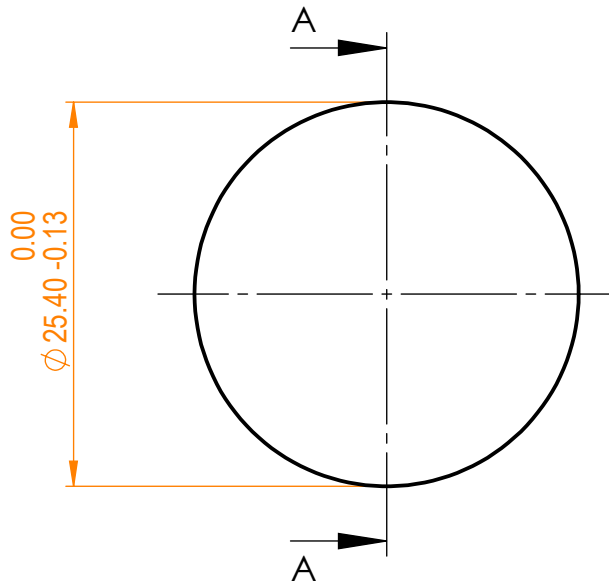


**NOTES:**

1. Material: UVFS;
2. G - Fine ground surface;
3. All dimensions are in mm;
4. Wedge: <3 min;
5. Protective chamfers: 0.3 mm x 45°;
6. Laser Induced Damage Threshold:
  - > 0.25 J/cm<sup>2</sup> at @800nm, 50Hz, 94fsec pulses,
  - > 1.8 J/cm<sup>2</sup> at @1064nm, 50Hz, 11nsec pulses;



Isometric view 1:2



Specifications are subject to change without notice  
Dimensions are for reference only

Parameters		S1		S2	
Shape	Concave			Plano	
Radius of curvature	750			Infinity	
Surface flatness	$\lambda/10$ @633nm			$\lambda$ @633nm	
Surface quality	40-20 s/d			80-50 s/d	
Clear aperture	>90%			>90%	
Coating	Protected silver Ravg>96%@400nm - IR			Uncoated	

 info@eksmaoptics.com www.eksmaoptics.com		UVFS pl/cv mirror, D=25.4 mm, T=6 mm				
Proprietary		Name	Date	Part number	Rev.	Scale
The information in this drawing is property of EKSMA Optics. Any reproduction in part or as a whole without the written permission of EKSMA Optics is prohibited.	Approved	A.K.	2020.11.16	092-3125R-750	A	2:1
	Drawn	V.S.	2020.11.16			