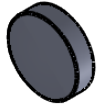
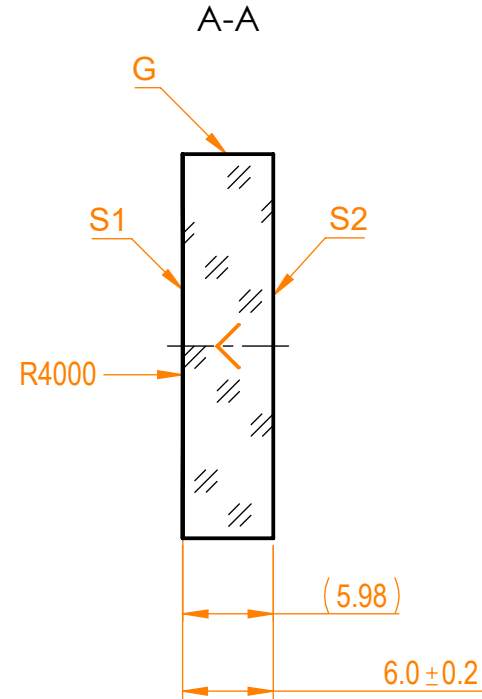


NOTES:


1. Material: UVFS;
2. G - Fine ground surface;
3. All dimensions are in mm;
4. Wedge: <3 min;
5. Protective chamfers: 0.3 mm x 45°;
6. Laser Induced Damage Threshold:
 - > 0.25 J/cm² at @800nm, 50Hz, 94fsec pulses,
 - > 1.8 J/cm² at @1064nm, 50Hz, 11nsec pulses;



Isometric view 1:2



Specifications are subject to change without notice
 Dimensions are for reference only

Parameters		 info@eksmaoptics.com www.eksmaoptics.com		UVFS pl/cv mirror, D=25.4 mm, T=6 mm				
	S1			S2	Proprietary	Name	Date	Part number
Shape	Concave	Plano						
Radius of curvature	4000	Infinity						
Surface flatness	$\lambda/10$ @633nm	λ @633nm						
Surface quality	40-20 s/d	80-50 s/d						
Clear aperture	>90%	>90%						
Coating	Protected silver Ravg>96%@400nm - IR	Uncoated						
	Approved	Drawn	A.K.	2020.11.16	092-3125R-4000		A	2:1
			V.S.	2020.11.16				