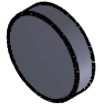
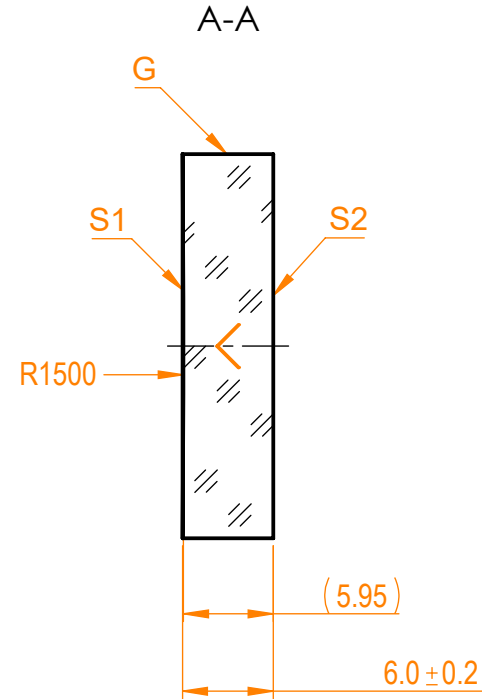


NOTES:

1. Material: UVFS;
2. G - Fine ground surface;
3. All dimensions are in mm;
4. Wedge: <3 min;
5. Protective chamfers: 0.3 mm x 45°;
6. Laser Induced Damage Threshold:
 - > 0.25 J/cm² at @800nm, 50Hz, 94fsec pulses,
 - > 1.8 J/cm² at @1064nm, 50Hz, 11nsec pulses;



Isometric view 1:2



Specifications are subject to change without notice
Dimensions are for reference only

Parameters		S1		S2		UVFS pl/cv mirror, D=25.4 mm, T=6 mm				
Shape	Concave			Plano						
Radius of curvature	1500			Infinity						
Surface flatness	λ/10 @633nm			λ @633nm						
Surface quality	40-20 s/d			80-50 s/d						
Clear aperture	>90%			>90%						
Coating	Protected silver Ravg>96%@400nm - IR			Uncoated						
		Proprietary <small>The information in this drawing is property of EKSMA Optics. Any reproduction in part or as a whole without the written permission of EKSMA Optics is prohibited.</small>		Approved Drawn		Name A.K. V.S.	Date 2020.11.16 2020.11.16	Part number 092-3125R-1500	Rev. A	Scale 2:1