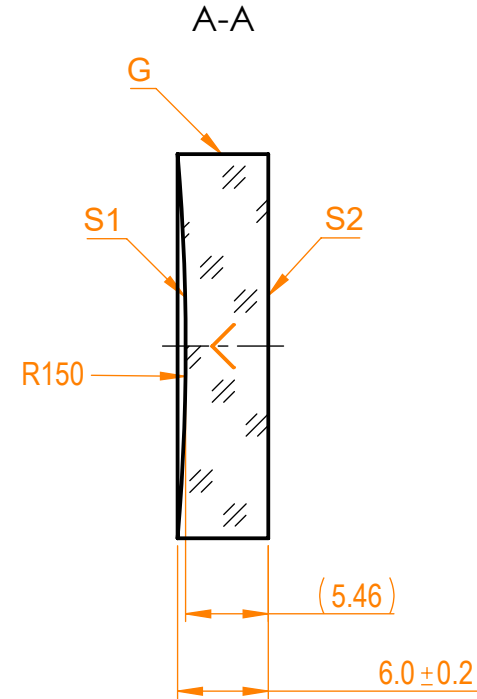
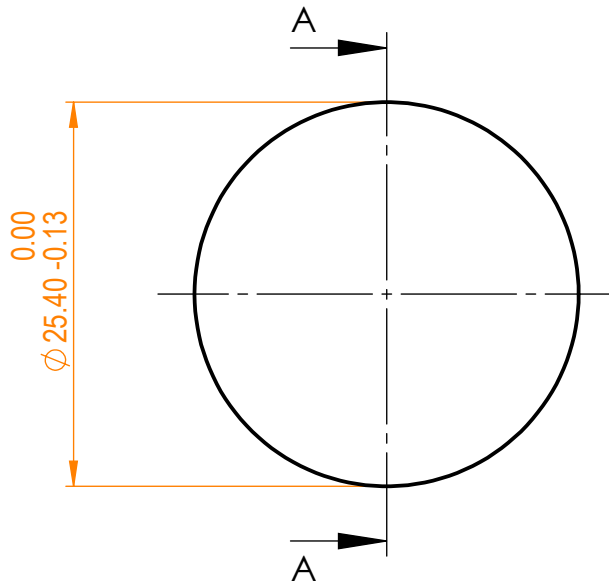


NOTES:


1. Material: N-BK7;
2. G - Fine ground surface;
3. All dimensions are in mm;
4. Wedge: <3 min;
5. Protective chamfers: 0.3 mm x 45°;
6. Laser Induced Damage Threshold:
 - > 0.25 J/cm² at @800nm, 50Hz, 94fsec pulses,
 - > 1.8 J/cm² at @1064nm, 50Hz, 11nsec pulses;



Isometric view 1:2



Specifications are subject to change without notice
Dimensions are for reference only

Parameters		S1		S2		 N-BK7 pl/cv mirror, D=25.4 mm, T=6 mm																				
Shape	Concave	Concave		Plano				<table border="1" style="width: 100%; border-collapse: collapse;"> <tr> <td style="text-align: center;">Proprietary</td> <td style="text-align: center;">Name</td> <td style="text-align: center;">Date</td> <td style="text-align: center;">Part number</td> <td style="text-align: center;">Rev.</td> <td style="text-align: center;">Scale</td> </tr> <tr> <td style="text-align: center;">The information in this drawing is property of EKSMA Optics. Any reproduction in part or as a whole without the written permission of EKSMA Optics is prohibited.</td> <td style="text-align: center;">Approved</td> <td style="text-align: center;">A.K.</td> <td style="text-align: center;">2020.11.16</td> <td rowspan="2" style="text-align: center;">092-0125R-150</td> <td rowspan="2" style="text-align: center;">A</td> <td rowspan="2" style="text-align: center;">2:1</td> </tr> <tr> <td style="text-align: center;"></td> <td style="text-align: center;">Drawn</td> <td style="text-align: center;">V.S.</td> <td style="text-align: center;">2020.11.16</td> </tr> </table>		Proprietary	Name	Date	Part number	Rev.	Scale	The information in this drawing is property of EKSMA Optics. Any reproduction in part or as a whole without the written permission of EKSMA Optics is prohibited.	Approved	A.K.	2020.11.16	092-0125R-150	A	2:1		Drawn	V.S.	2020.11.16
Proprietary	Name	Date	Part number	Rev.	Scale																					
The information in this drawing is property of EKSMA Optics. Any reproduction in part or as a whole without the written permission of EKSMA Optics is prohibited.	Approved	A.K.	2020.11.16	092-0125R-150	A					2:1																
	Drawn	V.S.	2020.11.16																							
Radius of curvature	150	150		Infinity																						
Surface flatness	λ/10 @633nm	λ/10 @633nm		λ @633nm																						
Surface quality	40-20 s/d	40-20 s/d		80-50 s/d																						
Clear aperture	>90%	>90%		>90%																						
Coating	Protected silver Ravg>96%@400nm - IR	Protected silver Ravg>96%@400nm - IR		Uncoated																						