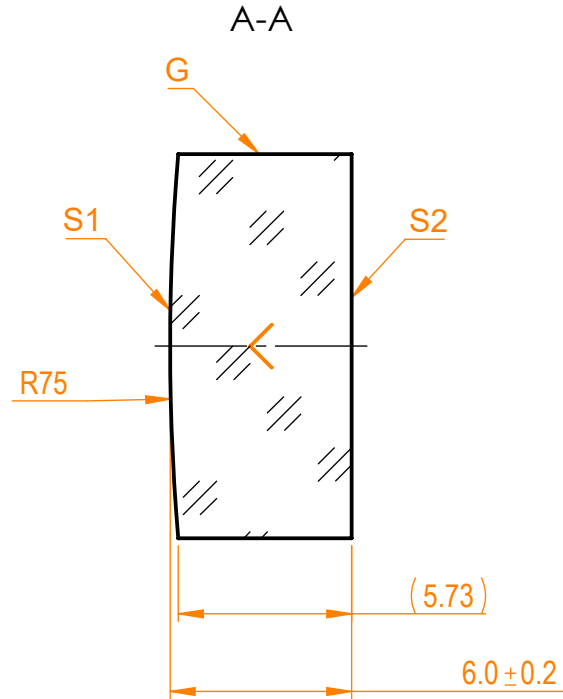
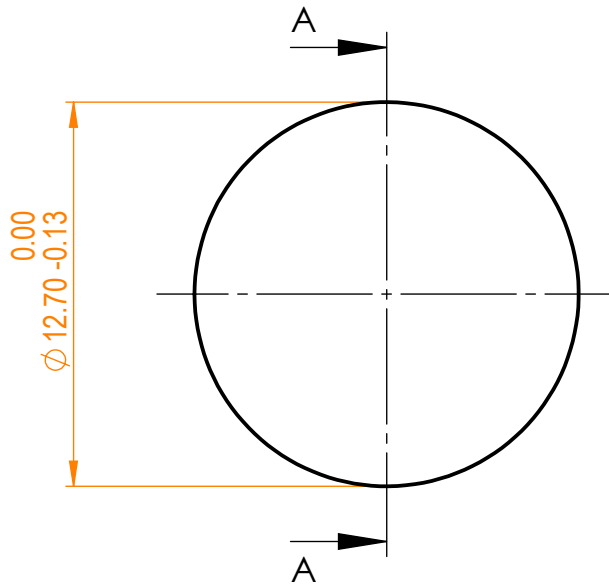


NOTES:


1. Material: UVFS;
2. G - Fine ground surface;
3. All dimensions are in mm;
4. Wedge: <3 min;
5. Protective chamfers: 0.3 mm x 45°;
6. Laser Induced Damage Threshold:
 - > 0.1 J/cm² at @355nm, 50Hz, 5.7nsec pulses,
 - > 0.25 J/cm² at @1064nm, 50Hz, 11nsec pulses;



Isometric view 1:1



Specifications are subject to change without notice
Dimensions are for reference only

		Parameters				UVFS pl/cx mirror, D=12.7 mm, T=6 mm						
		S1	S2									
	Shape	Convex	Plano	info@eksmaoptics.com www.eksmaoptics.com		Proprietary		Name	Date	Part number	Rev.	Scale
	Radius of curvature	75	Infinity					The information in this drawing is property of EKSMA Optics. Any reproduction in part or as a whole without the written permission of EKSMA Optics is prohibited.		Approved	A.K.	2020.11.16
	Surface flatness	λ/10 @633nm	λ @633nm	Drawn	V.S.	2020.11.16						
	Surface quality	40-20 s/d	80-50 s/d									
	Clear aperture	>90%	>90%									
	Coating	Protected aluminium Ravg>86%@300nm - IR	Uncoated									