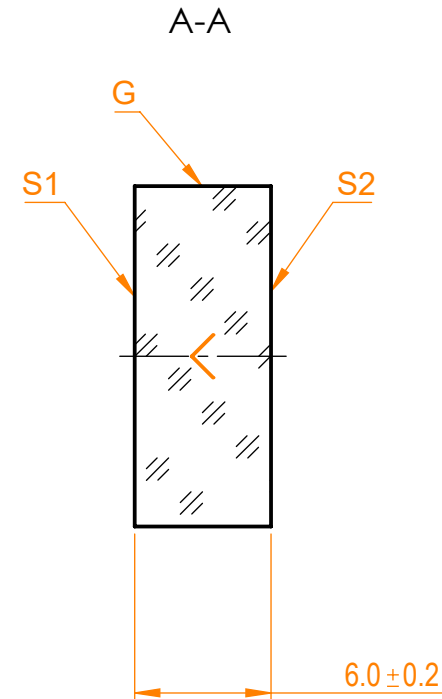
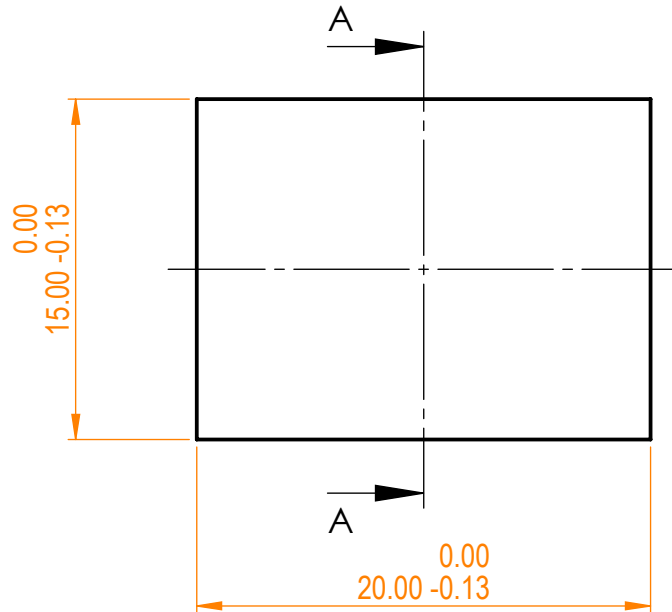


NOTES:


1. Material: N-BK7;
2. G - Fine ground surface;
3. All dimensions are in mm;
4. Wedge: <3 min;
5. Protective chamfers: 0.3 mm x 45°;
6. Laser Induced Damage Threshold:
 - > 0.25 J/cm² at @800nm, 50Hz, 94fsec pulses;
 - > 1.8 J/cm² at @1064nm, 50Hz, 11nsec pulses;



Isometric view 1:1



Specifications are subject to change without notice
 Dimensions are for reference only

Parameters			 info@eksmaoptics.com www.eksmaoptics.com		N-BK7 pl mirror, (15x20) mm, T=6 mm				
	S1	S2			Name	Date	Part number	Rev.	Scale
Shape	Plano	Plano	Proprietary	Approved	A.K.	2020.09.14	091-0325	A	3:1
Radius of curvature	Infinity	Infinity							
Surface flatness	λ/10 @633nm	λ @633nm							
Surface quality	40-20 s/d	80-50 s/d							
Clear aperture	>90%	>90%							
Coating	Protected silver R _{avg} >96%@400nm - IR	Uncoated							