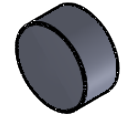
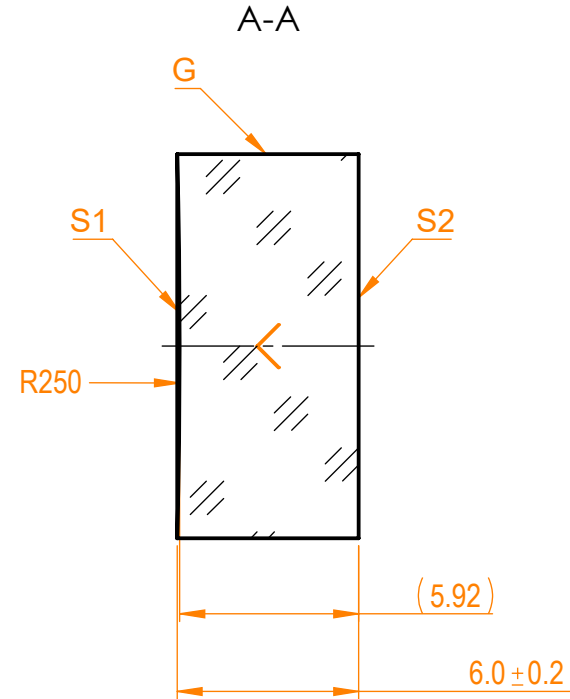
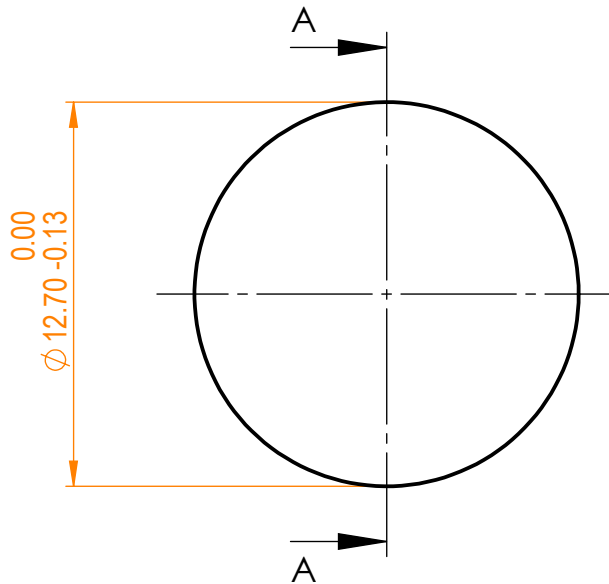


NOTES:


1. Material: N-BK7;
2. G - Fine ground surface;
3. All dimensions are in mm;
4. Wedge: <3 min;
5. Protective chamfers: 0.3 mm x 45°;
6. Laser Induced Damage Threshold:
 - > 0.25 J/cm² at @800nm, 50Hz, 94fsec pulses,
 - > 1.8 J/cm² at @1064nm, 50Hz, 11nsec pulses;



Isometric view 1:1



Specifications are subject to change without notice
Dimensions are for reference only

| Parameters | | | |  info@eksmaoptics.com www.eksmaoptics.com | | N-BK7 pl/cv mirror, D=12.7 mm, T=6 mm | | | | |
|---------------------|---|-----------|--|---|----------|---------------------------------------|------------|---------------|------|-------|
| | S1 | S2 | | | | | | | | |
| Shape | Concave | Plano | | | | | | | | |
| Radius of curvature | 250 | Infinity | | | | | | | | |
| Surface flatness | λ/10 @633nm | λ @633nm | | | | | | | | |
| Surface quality | 40-20 s/d | 80-50 s/d | | | | | | | | |
| Clear aperture | >90% | >90% | | | | | | | | |
| Coating | Protected silver Ravg>96%@400nm - IR | Uncoated | | | | | | | | |
| | | | | Proprietary | | Name | Date | Part number | Rev. | Scale |
| | | | | The information in this drawing is property of EKSMA Optics. Any reproduction in part or as a whole without the written permission of EKSMA Optics is prohibited. | Approved | A.K. | 2020.11.16 | 091-0125R-250 | A | 4:1 |
| | | | | | Drawn | V.S. | 2020.11.16 | | | |